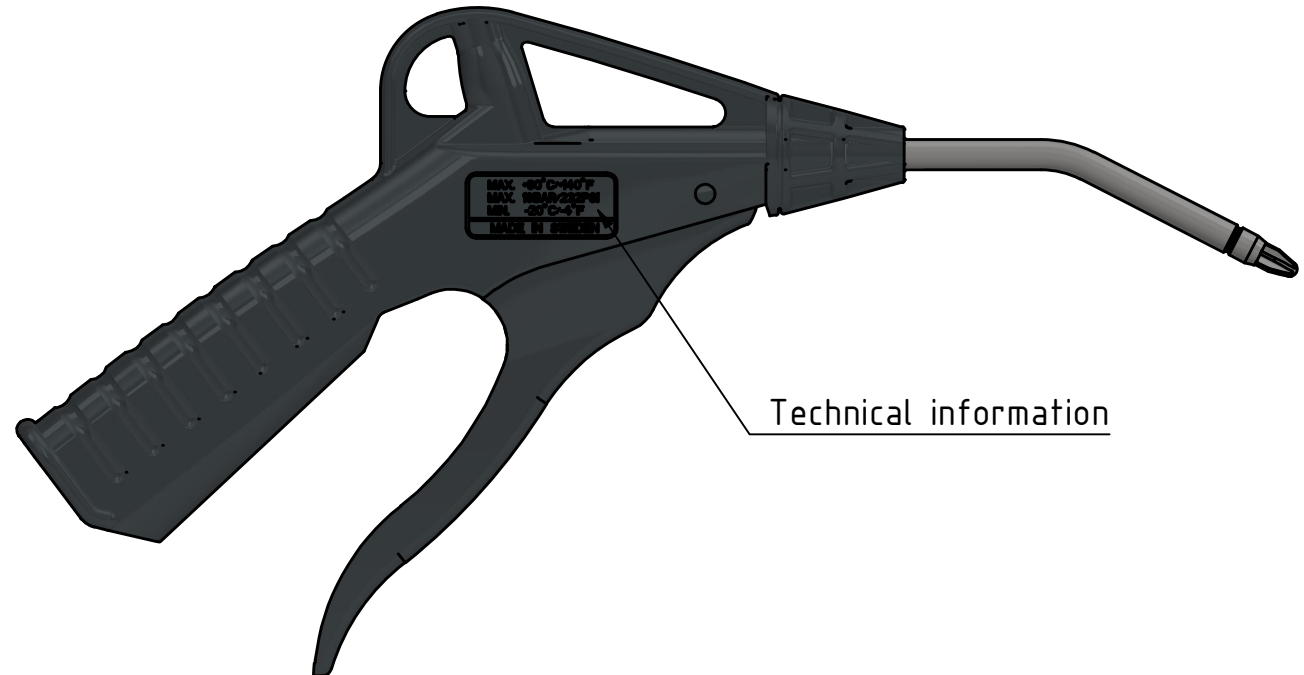
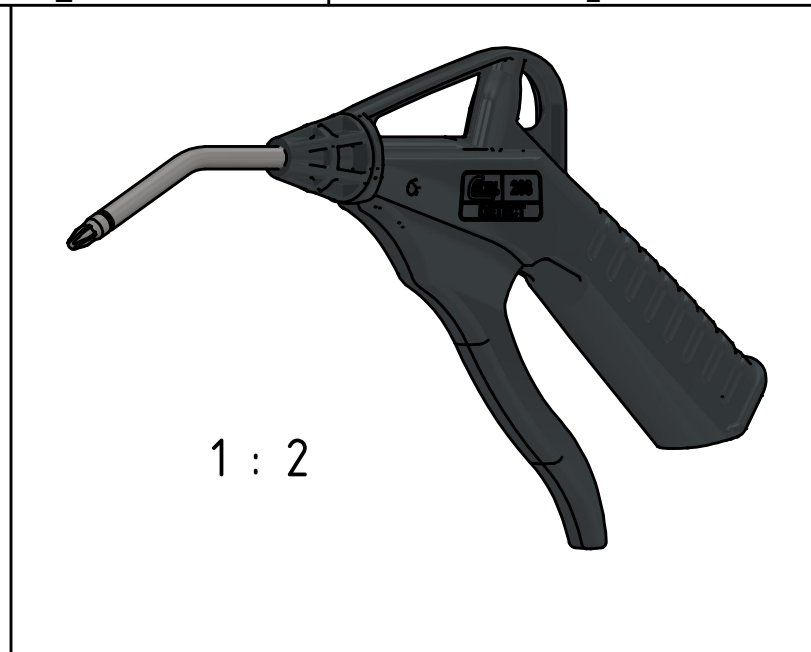
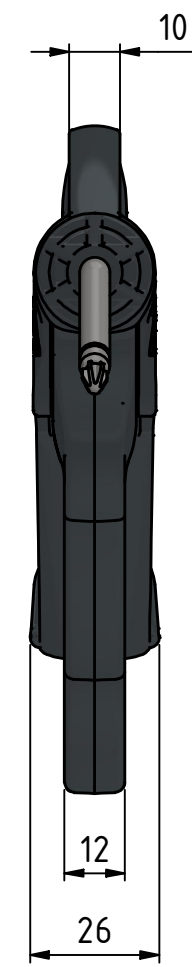
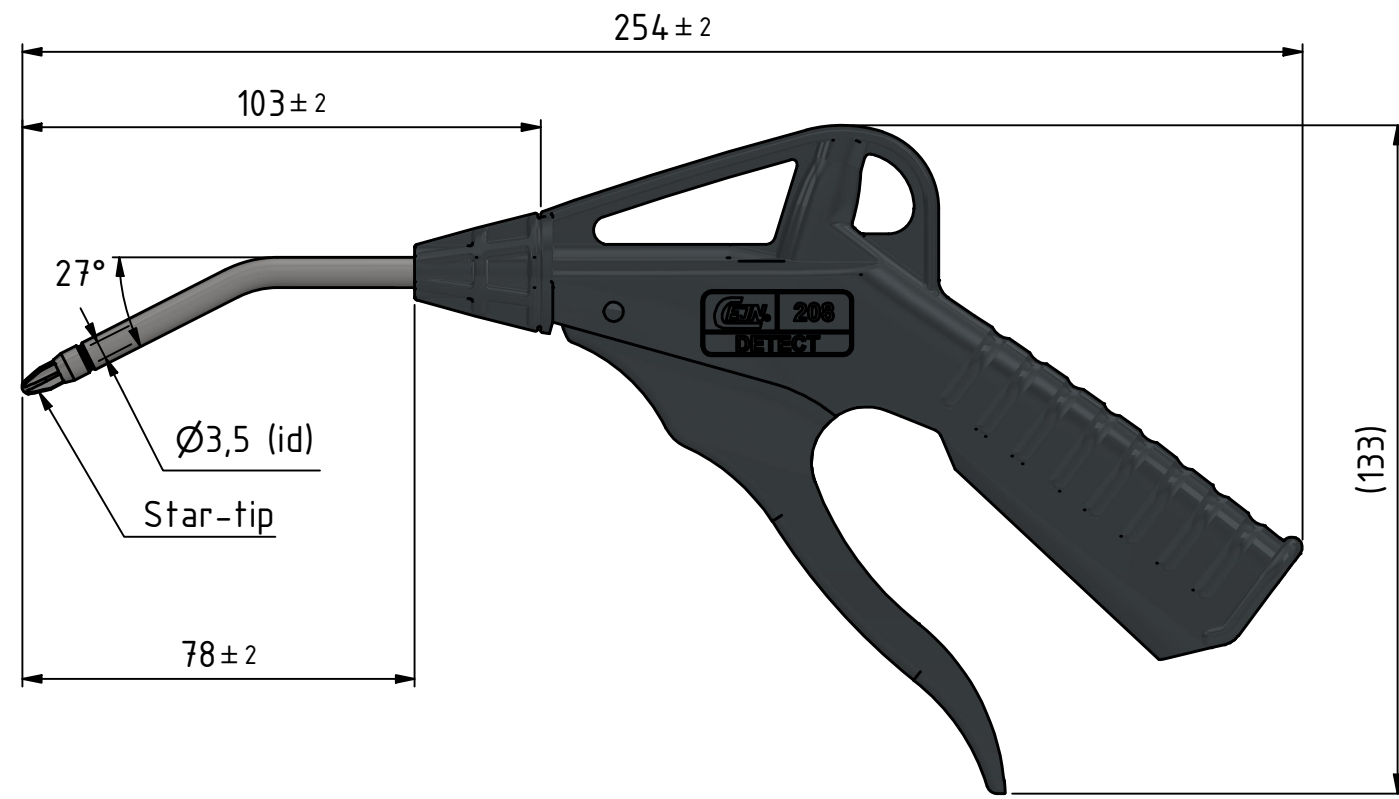


This document must not be copied, either completely or in part, without permission. Any infringement will have legal consequences ©



Compliant with OSHA instruction STD 1 - 13,1
Sound level below 85 dB

Item	Qty	Description	Material
6	1	Tube w. star-tip	Brass, plated
5	2	O-ring FDA	Detectable NBR
4	1	Valve	Stainless Steel
3	1	Handle	Detectable Plastic
2	1	Body	Detectable Plastic
1	1	Spring	Stainless steel

	Scale	2 : 3	Drawn	CABANLA	Checked	LIJA	Appr.	JOOL	ECO	Date	2024-01-09
	Assembly Drawing 112087103							Drawing No.	Issue A Sheet 1/(1)		

Product No.	112087103
Max WP Connected:	16 bar
Min BP Connected:	64 bar
Temperature range:	-20°C - +60°C
Connection:	Rc 1/4" fem
Sealing material:	NBR DETECT + FDA

