



# GAS 15 L SFC Professional



Robert Bosch Power Tools GmbH  
70538 Stuttgart  
GERMANY

[www.bosch-pt.com](http://www.bosch-pt.com)

1 609 92A 6U3 (2022.08) PS / 48

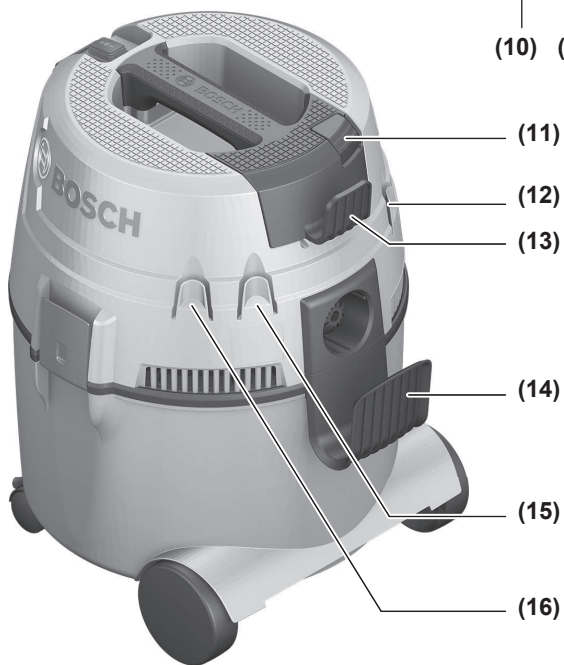
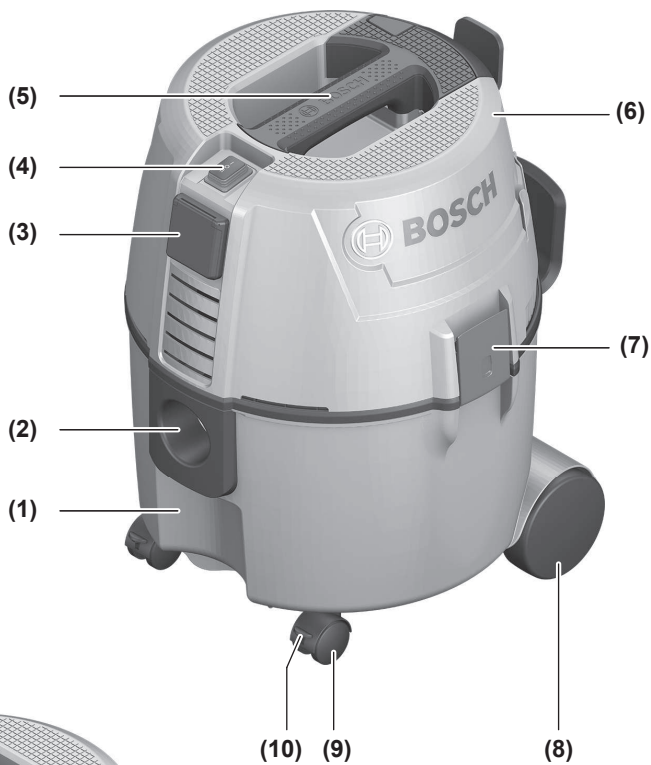


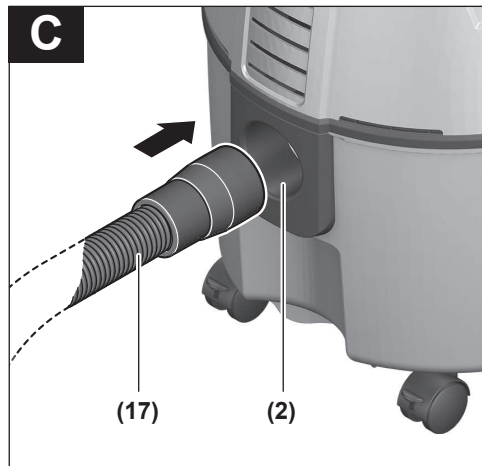
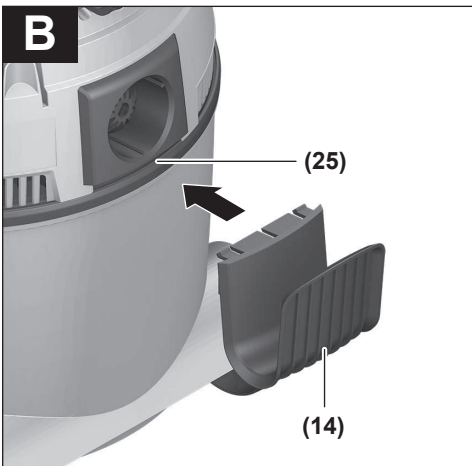
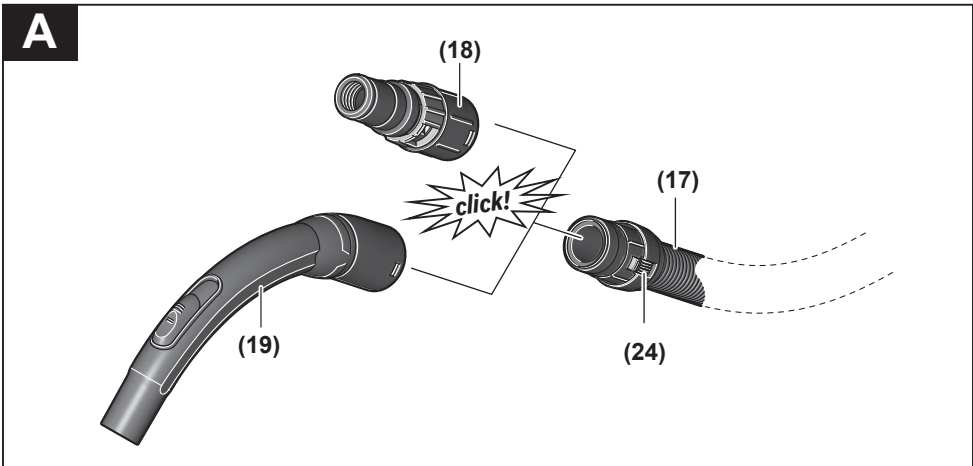
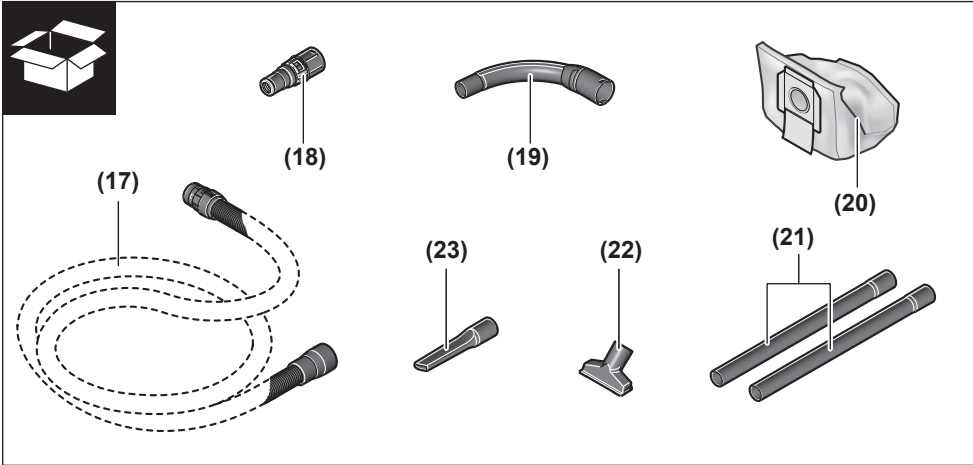
1 609 92A 6U3

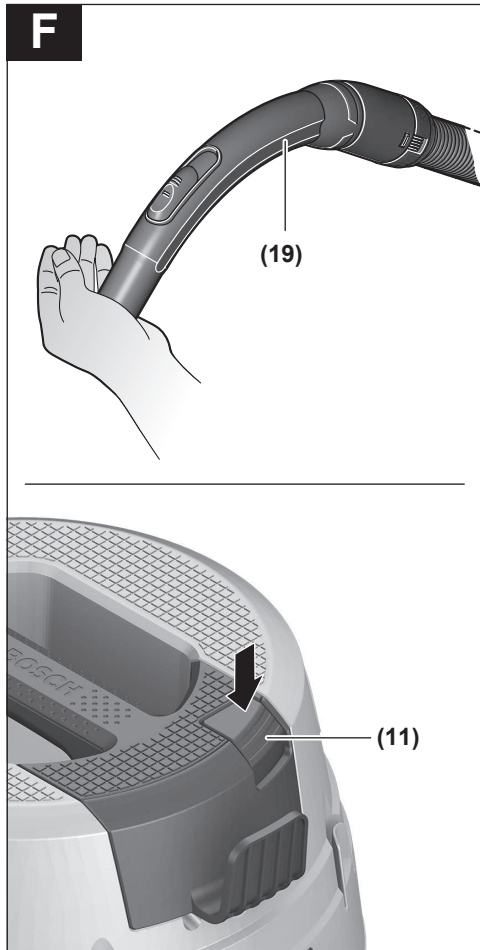
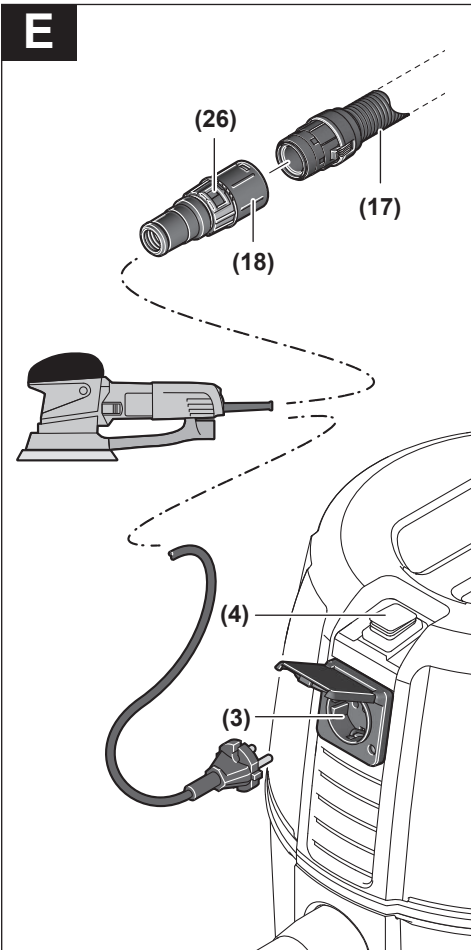
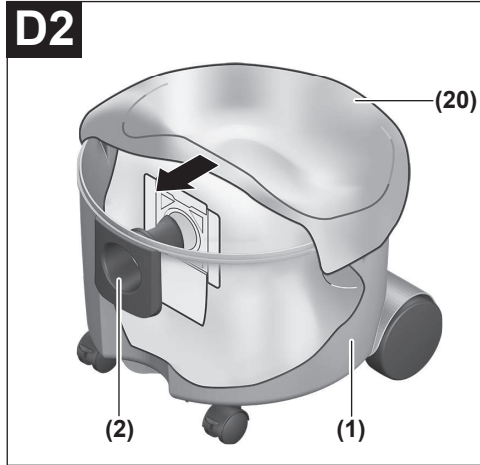
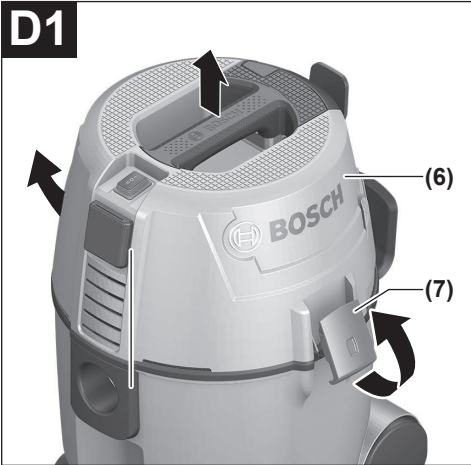
- en Original instructions
- zh 正本使用说明书
- zh 原始使用說明書
- ko 사용 설명서 원본
- th หนังสือคู่มือการใช้งานฉบับต้นแบบ
- id Petunjuk-Petunjuk untuk Penggunaan Orisinal
- vi Bản gốc hướng dẫn sử dụng

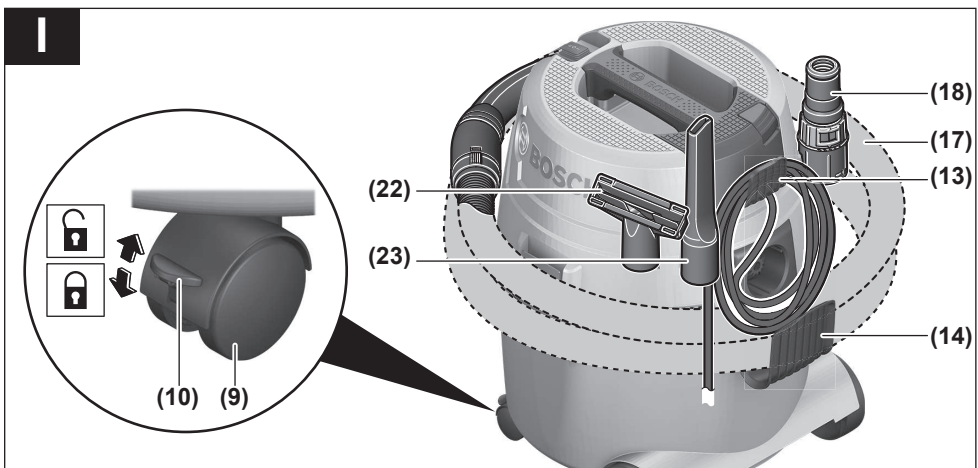
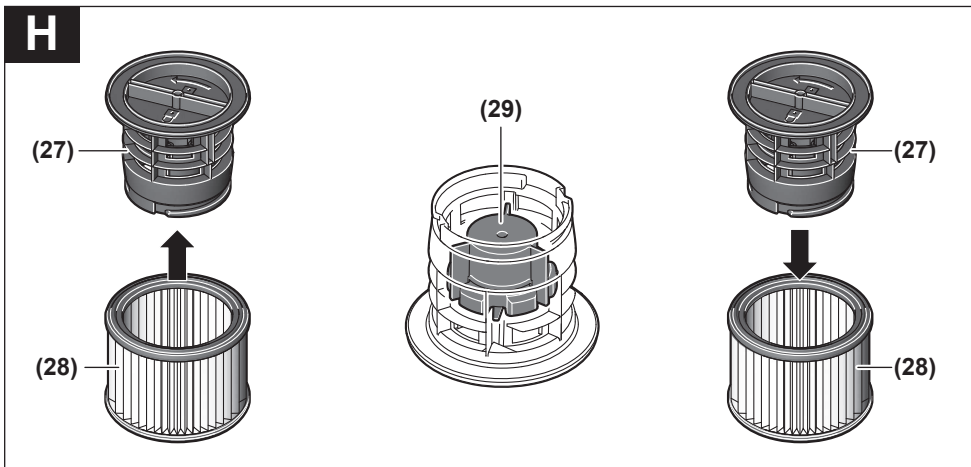
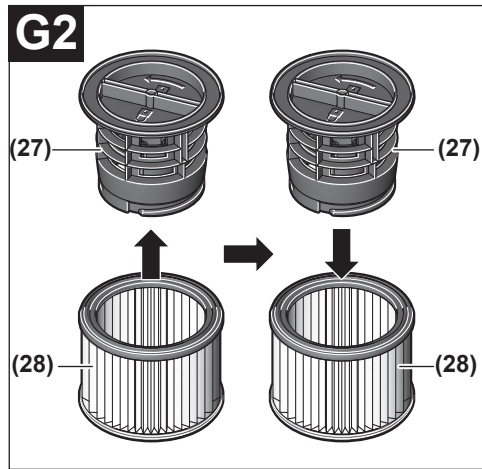
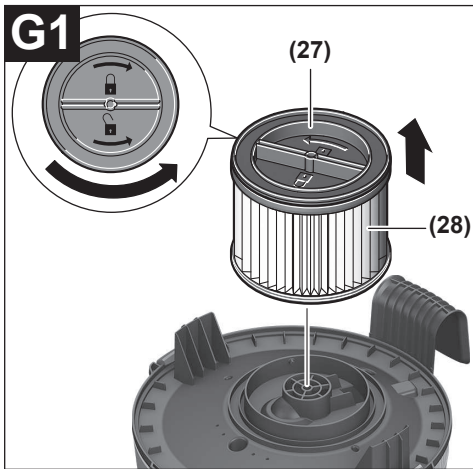


English .....	Page	7
中文 .....	页	13
繁體中文 .....	頁	17
한국어 .....	페이지	22
ไทย .....	หน้า	28
Bahasa Indonesia .....	Halaman	35
Tiếng Việt .....	Trang	41









# English

## Safety Instructions

### Safety instructions for vacuum cleaners



**Read all the safety information and instructions.** Failure to observe the safety information and follow instructions may result in electric shock, fire and/or serious injury.

Save all warnings and instructions for future reference.

► **This vacuum cleaner is not intended for use by children or persons with physical, sensory or mental impairments. It should not be used by persons who have insufficient experience and knowledge.** Otherwise, there is a risk of operating errors and injuries.

► **Supervise children.** This will ensure that children do not play with the vacuum cleaner.

► **Do not vacuum beech or oak wood dust, rock dust or asbestos.** These substances are considered carcinogenic.

**⚠ WARNING** Only use the vacuum cleaner if you have been adequately informed about the use of the equipment, the substances to be vacuumed and how to dispose of these safely. Thorough instruction on how to use the equipment prevents accidental misuse and injuries.

**⚠ WARNING** The vacuum cleaner is suitable for vacuuming dry substances, and can also be used to vacuum liquids when taking appropriate measures. The penetration of liquids increases the risk of an electric shock.

► **Do not use the vacuum cleaner to vacuum combustible or explosive liquids, such as petrol, oil, alcohol or solvents. Do not vacuum hot, burning or explosive dust. Do not operate the vacuum cleaner in areas subject to explosion hazards.** Dust, vapours and liquids can ignite or explode.

**⚠ WARNING** Only use the socket for the purpose stipulated in the operating manual.

**⚠ WARNING** If you notice a foam or water leak, switch off the vacuum cleaner immediately and empty the container. Otherwise, the vacuum cleaner can become damaged.

► **NOTE: The vacuum cleaner must only be used and stored indoors.** The penetration of rain or moisture into the top of the vacuum cleaner increases the risk of electric shock.

► **NOTE: Clean the float regularly and check whether it is damaged.** Otherwise, the equipment may not function properly.

► **If operating the vacuum cleaner in a damp location is unavoidable, use a residual current device (RCD).** Use of an RCD reduces the risk of electric shock.

► **Always check the vacuum cleaner, cable and plug before use. Do not use the vacuum cleaner if you discover any damage. Do not open the vacuum cleaner yourself. It should be repaired exclusively by a qualified professional using only genuine spare parts.** Damaged vacuum cleaners, cables and plugs increase the risk of electric shock.

► **Do not crush the cable or run the device over it. Do not pull on the power cable to pull the plug out of the socket or to move the vacuum cleaner.** Damaged cables increase the risk of an electric shock.

► **Pull the plug out of the socket before cleaning or performing maintenance on the vacuum cleaner, making tool adjustments, changing accessories or putting away the vacuum cleaner.** This safety measure prevents the vacuum cleaner from being started accidentally.

► **Ensure that the workplace is well ventilated.**

► **The vacuum cleaner should be repaired exclusively by a qualified professional using only genuine spare parts.** This will ensure that the safety of the vacuum cleaner is maintained.

**⚠ WARNING** The dust extractor contains dust particles that pose a risk to health. Emptying and maintenance procedures, including the disposal of dust containers, should only be carried out by professionals. Suitable protective equipment is required. Do not operate the vacuum cleaner unless the complete filter system is correctly inserted. Otherwise, you are putting your health at risk.

► **Before using the equipment for the first time, check that the vacuum hose is in perfect condition. Leave the vacuum hose fitted to the vacuum cleaner while doing this so that no dust escapes accidentally.** Otherwise, you may end up inhaling dust particles.

► **Do not sit on the vacuum cleaner.** You can damage the vacuum cleaner this way.

► **Take care when using the power cable and the vacuum hose.** Improper use of these can put other people at risk.

► **Do not clean the vacuum cleaner by spraying a jet of water directly at it.** Water entering the top of the vacuum cleaner will increase the risk of electric shock.

► **Connect the dust extractor to a properly earthed power supply system.** The plug socket and extension cable must have a fully functioning protective conductor.

**Products sold in GB only:**

Your product is fitted with an BS 1363/A approved electric plug with internal fuse (ASTA approved to BS 1362).

If the plug is not suitable for your socket outlets, it should be cut off and an appropriate plug fitted in its place by an authorised customer service agent. The replacement plug should have the same fuse rating as the original plug.

The severed plug must be disposed of to avoid a possible shock hazard and should never be inserted into a mains socket elsewhere.

## Symbols

The following symbols may provide you with important information pertaining to the use of your dust extractor. Please take note of these symbols and their meaning. Knowing what these symbols mean will help you to use your extractor more effectively and more safely.

### Symbols and their meaning



**WARNING! Read all the safety and general instructions.** Failure to observe the safety and general instructions may result in electric shock, fire and/or serious injury.



Dust extractor from dust class L in accordance with IEC/EN 60335-2-69 for the **dry extraction** of harmful dusts with an exposure limit of  $> 1 \text{ mg/m}^3$



**WARNING! The dust extractor contains dust particles that pose a risk to health. Emptying and maintenance procedures, including the disposal of dust containers, should only be carried out by professionals. Suitable protective equipment is required. Do not operate the dust extractor unless the complete filter system is correctly inserted.** Otherwise, you are putting your health at risk.

## Product Description and Specifications



**Read all the safety and general instructions.** Failure to observe the safety and general instructions may result in electric shock,

fire and/or serious injury.

Please observe the illustrations at the beginning of this operating manual.

### Intended Use

The dust extractor is intended for collecting, vacuuming, conveying and separating non-flammable dry dusts, non-flammable liquids and a water-air mixture. The dust extraction capability of the dust extractor has been tested and cor-

responds to dust class L. It is suitable for the increased demands in professional use, e.g. in trade, industry and workshops.

Dust extractors from dust class L in accordance with IEC/EN 60335-2-69 may only be used to vacuum and extract harmful dust with an exposure limit of  $> 1 \text{ mg/m}^3$ .

Only use the dust extractor if you can fully evaluate all functions and carry them out without restrictions, or if you have received corresponding instructions.

### Product features

The numbering of the product features refers to the representation of the vacuum cleaner on the graphic pages.

- (1) Container
- (2) Hose adapter
- (3) Plug socket for power tool
- (4) On/off button
- (5) Carrying handle
- (6) Top part of dust extractor
- (7) Catch for top part of dust extractor
- (8) Wheel
- (9) Castor
- (10) Castor brake
- (11) SFC switch
- (12) Holder for dust extraction adapter
- (13) Cable holder
- (14) Holder for vacuum hose
- (15) Holder for crevice nozzle/curved nozzle
- (16) Holder for coarse dirt nozzle
- (17) Vacuum hose
- (18) Dust extraction adapter
- (19) Curved nozzle
- (20) Disposal bag
- (21) Suction tube
- (22) Coarse dirt nozzle
- (23) Crevice nozzle
- (24) Snap fastener
- (25) Adapter for vacuum hose holder
- (26) False air intake
- (27) Filter holder
- (28) Pleated filter
- (29) Float

### Technical data

Wet/dry dust extractor	GAS 15 L SFC	
Article number		<b>3 601 J7B 0..</b>
Rated voltage	V	220–240
Rated power input	W	1200
Frequency	Hz	50–60



Wet/dry dust extractor		GAS 15 L SFC	
Container volume (gross/net)	l	19/15	
Net volume (liquid)	l	11.5	
Dust bag volume	l	7.5	
Max. vacuum <sup>A)</sup>			
– Dust extractor	hPa	202	
– Turbine	hPa	215	
Max. volume flow rate <sup>A)</sup>			
– Dust extractor	l/s	50	
	m <sup>3</sup> /s	0.05	
– Turbine	l/s	62	
	m <sup>3</sup> /s	0.062	
Max. suction power	W	245	
Area of pleated filter	m <sup>2</sup>	0.28	
Dust class		L	
Weight according to EPTA-Procedure 01:2014	kg	6.4	
Protection class		⊕/I	
Protection rating		IPx4	

A) Measured using a vacuum hose 3 m long and 35 mm in diameter. The specifications apply to a rated voltage [U] of 230 V. These specifications may vary at different voltages and in country-specific models.

Automatic start/stop <sup>A)</sup>			
	Rated voltage	Maximum power	Minimum power
CN	220–230 V	2000 W	100 W
KO	220–230 V	2000 W	100 W
TH	220–230 V	2000 W	100 W
ID	220–230 V	2000 W	100 W
VI	220–230 V	2000 W	100 W
ID	220–230 V	2000 W	100 W

A) Permitted connected load of the connected power tool (country-specific)

## Assembly

- **Pull the plug out of the socket before cleaning or performing maintenance on the vacuum cleaner, making tool adjustments, changing accessories or putting away the vacuum cleaner.** This safety measure prevents the vacuum cleaner from being started accidentally.

### Fitting the vacuuming accessories (see figure A)

The vacuum hose (17) is equipped with a clip system which can be used to connect vacuuming accessories (dust extraction adapter (18), curved nozzle (19)).

### Fitting the nozzles and tubes

- Push the curved nozzle (19) onto the vacuum hose (17) until you hear both snap fasteners (24) on the vacuum hose engage.
- Then attach the required extraction accessory (coarse dirt nozzle, crevice nozzle, suction tube, etc.) firmly to the curved nozzle (19).
- To remove the adapter, press the snap fasteners (24) inwards and pull apart the components.

### Fitting the dust extraction adapter

- Push the dust extraction adapter (18) onto the vacuum hose (17) until you hear both snap fasteners (24) on the vacuum hose engage.
- To remove the adapter, press the snap fasteners (24) inwards and pull apart the components.

### Fitting the holder for the vacuum hose (see figure B)

- Slide the holder (14) for the vacuum hose (17) firmly into the adapter (25) provided for it from above until it clicks into place.

### Fitting the vacuum hose (see figure C)

- Insert the vacuum hose (17) firmly into the hose adapter (2).

**Note:** The friction generated by the dust in the vacuum hose and accessory during extraction causes an electrostatic charge that the user may experience as static discharge (depending on environmental factors and their physiological state).

Bosch generally recommends using an anti-static vacuum hose (accessory) to vacuum up fine dust and dry materials.

### Inserting/removing the disposal bag or dust bag (dry vacuuming) (see figures D1–D2)

For dry vacuuming, you can insert a disposal bag (20) or a dust bag (accessory) into the container (1). This makes the dust easier to dispose of.

#### Inserting the disposal bag

- Open the catches (7) and remove the top part of the vacuum cleaner (6).
- Insert the disposal bag (20) into the container (1) with the inlet facing forwards.
- Pull the inlet over the connection flange and all the way into the recess of the connection flange.
- Make sure that the disposal bag (20) touches all the inside walls of the container (1).
- Fold the rest of the disposal bag (20) over the edge of the container (1).
- Put the top part of the vacuum cleaner (6) on and close the catches (7).

#### Removing and sealing the disposal bag

- Open the catches (7) and remove the top part of the vacuum cleaner (6).

- Pull the full disposal bag **(20)** backwards out of the connection flange.
- Carefully take the disposal bag **(20)** out of the container **(1)** without damaging it.  
When doing so, make sure that the disposal bag does not scrape against the connection flange or other sharp objects.
- Tie up the disposal bag **(20)** below the inlet.

#### Changing/inserting the dust bag (accessory)

- Open the catches **(7)** and remove the top part of the vacuum cleaner **(6)**.
- Pull the full dust bag backwards out of the connection flange. Close the opening in the dust bag by turning down the top. Take the closed dust bag out of the container **(1)**.
- Place the new dust bag over the vacuum cleaner's connection flange. Make sure that the entire length of the dust bag touches the inside wall of the container **(1)**.
- Put the top part of the vacuum cleaner **(6)** on and close the catches **(7)**.

## Operation

- ▶ **Pull the plug out of the socket before cleaning or performing maintenance on the vacuum cleaner, making tool adjustments, changing accessories or putting away the vacuum cleaner.** This safety measure prevents the vacuum cleaner from being started accidentally.

When operating the dust extractor, ensure that the castors **(9)** blocked with the castor brakes **(10)** to prevent the dust extractor from rolling away unintentionally. Test the correct functioning of the wheels **(8)** and castors **(9)** on the relevant surface before operation.

### Start-up

- ▶ **Pay attention to the mains voltage.** The voltage of the power source must correspond with the information on the type plate of the dust extractor. Dust extractors marked with 230 V can also be operated with 220 V.
- ▶ **Make sure you inform yourself about the applicable regulations/laws on how to handle harmful types of dust in your country.**

The dust extractor may be used for vacuuming and extracting the following materials:

- Dusts with an exposure limit of  $> 1 \text{ mg/m}^3$
- ▶ **Products that are only sold in AUS and NZ:** Use a residual current device (RCD) with a nominal residual current of 30 mA or less.

The dust extractor must categorically not be used in potentially explosive areas.

To ensure optimum suction power, you must always fully unwind the vacuum hose **(17)** from the top part of the dust extractor **(6)**.

## Dry vacuuming

### Vacuuming up Dust Deposits

- To **switch on** the dust extractor, briefly press the on/off button **(4)**.
- To **switch off** the dust extractor, press the on/off button **(4)** again.

### Extracting dust that accumulates from working power tools (see figure E)

- ▶ **There must be a sufficient air exchange rate (L) in the room when the exhaust air comes back into the room. Be aware of the corresponding national regulations.**

The dust extractor has a plug socket with a protective earth contact **(3)** that can be used to connect an external power tool. Observe the maximum permitted connected load of the connected power tool.

- Fit the extraction adapter **(18)** (see "Fitting the dust extraction adapter", page 9).
- Insert the dust extraction adapter **(18)** into the extraction outlet of the power tool.

**Note:** When working with power tools that have a low air feed into the vacuum hose (e.g. jigsaws, sanders, etc.), the false air intake **(26)** of the dust extraction adapter **(18)** must be opened. Only then can the semi-automatic filter cleaning (SFC) work without any problems.

To do this, turn the ring above the false air intake **(26)** until the opening is at its maximum size.

- To **activate the automatic start/stop function** of the dust extractor, briefly press the on/off button **(4)**.
- To **start** the dust extractor, switch on the power tool connected to the plug socket **(3)**. The dust extractor will start automatically.
- To **stop dust extraction**, switch the power tool off.  
The automatic start/stop run-on function will run for up to 15 seconds longer in order to extract the remaining dust from the vacuum hose.
- To **switch off** the dust extractor, press the on/off button **(4)**.

## Wet vacuuming

- ▶ **Do not use the vacuum cleaner to vacuum combustible or explosive liquids, such as petrol, oil, alcohol or solvents. Do not vacuum hot, burning or explosive dust. Do not operate the vacuum cleaner in areas subject to explosion hazards.** Dust, vapours and liquids can ignite or explode.
- ▶ **The vacuum cleaner must not be used as a water pump.** The vacuum cleaner is designed for vacuuming air and vacuuming water mixtures.

### Steps to Take before Wet Vacuuming

- Open the catches **(7)** and remove the top part of the vacuum cleaner **(6)**.
- Remove the disposal bag **(20)** or dust bag if necessary.
- Empty the container **(1)** if necessary.

- Put the top part of the vacuum cleaner **(6)** on and close the catches **(7)**.

#### Vacuuming up liquids

- Switch on the dust extractor.

The dust extractor is equipped with a float. Extraction is stopped when the maximum filling level is reached.

- Switch off the dust extractor.
- Empty the container **(1)**.

To prevent mould growth after wet extraction:

- Remove the top part of the dust extractor **(6)**, then remove the pleated filter **(28)** and leave everything to dry thoroughly.

#### Semi-automatic filter cleaning (see figure F)

The filter cleaning function should be used regularly, and at the very latest when the suction power is no longer sufficient.

How often filter cleaning needs to be carried out will depend on the type and quantity of dust that has been vacuumed. With regular use, the maximum conveying capacity will be maintained for longer.

During semi-automatic filter cleaning (SFC), the air flow is reversed to clean deposited dust from the flaps of the filter.

A pleated filter with surface dirt is still fully functional. It is not necessary to clean the flat-pleated filter manually by shaking or blowing it out; this may even damage the filter.

#### Triggering the SFC Filter Cleaning

- Use the palm of your hand to close the nozzle or vacuum hose opening.
- Press the SFC switch **(11)** three times.

## Maintenance and Service

### Maintenance and Cleaning

- ▶ **Pull the plug out of the socket before cleaning or performing maintenance on the vacuum cleaner, making tool adjustments, changing accessories or putting away the vacuum cleaner.** This safety measure prevents the vacuum cleaner from being started accidentally.
- ▶ **To ensure safe and efficient operation, always keep the dust extractor and the ventilation slots clean.**
- ▶ **Wear a dust mask when servicing and cleaning the vacuum cleaner.**

In order to avoid safety hazards, if the power supply cord needs to be replaced, this must be done by **Bosch** or by an after-sales service centre that is authorised to repair **Bosch** power tools.

For the user to carry out maintenance, the dust extractor needs to be disassembled, cleaned and maintained as far as this is possible without endangering maintenance personnel or other persons. Before disassembly, the dust extractor should be cleaned to prevent any potential hazards. The room/enclosure in which the dust extractor is disassembled should be well ventilated. Wear personal protective equip-

ment while carrying out maintenance. After completing maintenance, the maintenance area should be cleaned.

An inspection regarding the dust extraction capability must be carried out at least once a year by the manufacturer or someone who has been trained, e.g. to check for filter damage, that the dust extractor is tight and that the control unit is functioning correctly.

Class **L** vacuum cleaners which were located in dirty environments should have their exteriors, as well as all their components, cleaned or treated with sealant. When performing maintenance and repair work, all dirty parts that cannot be cleaned satisfactorily must be disposed of. Such parts must be disposed of in impermeable bags in accordance with the valid provisions for disposing of such waste.

- Clean the housing of the dust extractor occasionally with a damp cloth.

#### Cleaning the container



- Wipe the container **(1)** from time to time using a non-abrasive off-the-shelf cleaning product and leave it to dry.

#### Cleaning the Filters

Regularly emptying the dust container and cleaning the filters will ensure optimum suction power. If suction power is not achieved after that, the vacuum cleaner is to be brought to the after-sales service.

#### Removing/changing the filter (see figures G1–G2)

Replace the damaged pleated filter immediately.

- Open the catches **(7)** and remove the top part of the vacuum cleaner **(6)**.
- Turn the filter holder **(27)** as far as possible in the direction of rotation  and take the filter holder, together with the pleated filter **(28)**, out of the top part of the dust extractor **(6)**.
- Take the dirty/damaged pleated filter **(28)** out of the filter holder **(27)**.
- Brush the flaps of the pleated filter **(28)** with a soft brush.  
*or*  
Replace the pleated filter **(28)** if damaged.
- Place the filter holder **(27)** on the cleaned/new pleated filter **(28)**.
- Insert the filter holder **(27)**, together with the pleated filter **(28)**, into the top part of the dust extractor and turn the filter holder **(27)** as far as possible in the direction of rotation .
- Put the top part of the vacuum cleaner **(6)** on and close the catches **(7)**.

#### Cleaning the float (see figure H)

Make sure that the float **(29)** is cleaned occasionally.

- Open the catches **(7)** and remove the top part of the vacuum cleaner **(6)**.
- Take the filter holder **(27)**, together with the pleated filter **(28)**, out of the top part of the dust extractor **(6)**.
- Take the pleated filter **(28)** out of the filter holder **(27)**.
- Wash the float **(29)** with water.

- Insert the filter holder (27) with the pleated filter (28) back into the top part of the dust extractor (6).
- Put the top part of the vacuum cleaner (6) on and close the catches (7).

### Storage and transport (see figure I)

- Empty and clean the container (1). To avoid mould formation, ensure that the pleated filter (28) and the inside of the dust extractor are dry.
- Wrap the power cable around the cable holder (13).
- Insert the accessories into the holders provided for them: Dust extraction adapter (18) into the holder (12), crevice nozzle (23) into the holder (15), coarse dirt nozzle (22) into the holder (16).
- Place the vacuum hose (17) in the holder (14) around the top part of the vacuum cleaner.
- Carry the vacuum cleaner by the carrying handle (5).
- Store the dust extractor in a dry room and secure it so that it cannot be used by unauthorised persons.
- Put the castor brake (10) down to hold the castors (9) in place.

### Rectifying faults

- **If a fault (e.g. a filter damage) occurs, the vacuum cleaner must be switched off immediately. The fault must be repaired before resuming operation.**

Problem	Corrective measure
Suction turbine will not switch on.	<ul style="list-style-type: none"> <li>– Check the mains cable, mains plug, fuse, socket and float (29).</li> <li>– Briefly press the on/off button (4) or switch on the power tool (3) that is connected to the socket.</li> </ul>
The suction turbine switches off.	<ul style="list-style-type: none"> <li>– Empty the container (1).</li> </ul>
The suction turbine will not switch on again after the container has been emptied.	<ul style="list-style-type: none"> <li>– Switch the dust extractor off and wait 5 seconds before switching it back on.</li> <li>– Clean the float (29).</li> </ul>
The suction power is decreasing.	<ul style="list-style-type: none"> <li>– Remove any blockages from the vacuum nozzle, suction tube (21), vacuum hose (17) or pleated filter (28).</li> <li>– Change the disposal bag (20) or dust bag.</li> <li>– Place the top part of the dust extractor (6) on correctly and close the catches (7).</li> <li>– Change the pleated filter (28).</li> </ul>
Dust is escaping during extraction	<ul style="list-style-type: none"> <li>– Check that the pleated filter (28) has been fitted correctly.</li> <li>– Change the pleated filter (28).</li> </ul>
Automatic switch-off (wet extraction) is not working.	<ul style="list-style-type: none"> <li>– Clean the float (29).</li> </ul> <p>Automatic switch-off will not work in the presence of non-conductive liquids or foaming.</p> <ul style="list-style-type: none"> <li>– Check the fill level regularly.</li> </ul>

### After-Sales Service and Application Service

Our after-sales service responds to your questions concerning maintenance and repair of your product as well as spare parts. You can find explosion drawings and information on spare parts at: [www.bosch-pt.com](http://www.bosch-pt.com)

The Bosch product use advice team will be happy to help you with any questions about our products and their accessories.

In all correspondence and spare parts orders, please always include the 10-digit article number given on the nameplate of the product.

#### Malaysia

Robert Bosch Sdn. Bhd. (220975-V) PT/SMY  
No. 8A, Jalan 13/6  
46200 Petaling Jaya  
Selangor

Tel.: (03) 79663194  
Toll-Free: 1800 880188  
Fax: (03) 79583838  
E-Mail: [kiathoe.chong@my.bosch.com](mailto:kiathoe.chong@my.bosch.com)  
[www.bosch-pt.com.my](http://www.bosch-pt.com.my)

#### You can find further service addresses at:

[www.bosch-pt.com/serviceaddresses](http://www.bosch-pt.com/serviceaddresses)

### Disposal

The vacuum cleaner, its accessories and packaging should be recycled in an environmentally friendly manner.



Do not dispose of the vacuum cleaner along with household waste.

## 中文

### 安全规章

#### 吸尘器相关安全规章



请阅读所有的安全规章和指示。不遵照以下警告和说明会导致电击、着火和/或严重伤害。

应将所有安全规章和指示保存到将来。

- ▶ **儿童和身体、感官或精神上有缺陷或缺乏经验与知识的人员不得使用本吸尘器。否则会有误操作和人身伤害的危险。**
- ▶ **请监督好儿童。以确保儿童不使用吸尘器玩耍。**

- ▶ **切勿抽取榫木屑或橡木屑、矿物性粉尘或石棉。这些物质可能致癌。**

**警告！** 只有当您充分了解有关吸尘器使用、待抽取的材料及其安全处理的情况下，才能使用吸尘器。详细的指导可以减少误操作及人身伤害。

**警告！** 本吸尘器适用于抽取干燥物质，在采取相应措施的情况下也可以抽取液体。液体渗入会增加触电风险。

- ▶ **切勿用吸尘器抽取可燃或爆炸性液体，比如汽油、机油、酒精、溶剂。切勿抽取高温、燃烧的或爆炸性粉尘。切勿在易爆环境中使用吸尘器。上述粉尘、蒸汽或液体可能自然或爆炸。**

**警告！** 电源插座仅可用于使用说明中规定的用途。

**警告！** 一旦有泡沫或水溢出，请立即关闭吸尘器并清空。否则可能会损坏吸尘器。

- ▶ **注意！** 吸尘器仅可在室内使用和存放。雨水或湿气进入吸尘器上部会增加电击风险。

- ▶ **注意！** 定期清洁浮标并检查是否受损。否则可能会影响功能。

- ▶ 如果在潮湿环境下操作吸尘器是不可避免的，应使用故障电流保护开关。使用故障电流保护开关可减小电击危险。

- ▶ 每次使用前都要检查吸尘器、电源线和插头。一旦发现损坏，请勿使用吸尘器。请勿自行打开吸尘器，只能由具有相应资质的专业人员用原厂配件进行维修。吸尘器、电线和插头如果损坏了会提高触电的危险。

- ▶ **切勿碾压或挤压电源线。切勿拉扯电源线以将插头从电源插座上拔出或移动吸尘器。损坏的电线会提高用户触电的危险。**

- ▶ **在保养或清洁吸尘器、调整设备、更换配件或收起吸尘器前，先拔出插头。这一项预防措施能防止意外启动吸尘器。**

- ▶ 要确保工作场所通风良好。
- ▶ 吸尘器只能由具有相应资质的专业人员用原厂配件进行维修。如此才能确保吸尘器的安全性能。

**警告！** 吸尘器内含有害粉尘。仅允许由专业人员执行清空和保养操作，包括清除集尘容器。要求使用相应的防护装备。切勿在过滤系统不完整和未仔细安装好的情况下使用吸尘器。否则会危害身体健康。

- ▶ **调试前，检查集尘软管的状态是否正常。同时将集尘软管安装到集尘器上，以防粉尘意外溢出。否则您可能会吸入粉尘。**
- ▶ **不要将集尘器作为坐具使用。这样会损坏吸尘器。**
- ▶ **请小心地使用电源线和集尘软管。因为上述机件可能危及他人。**
- ▶ **清洁吸尘器时，不可以把水柱直接瞄准吸尘器。雨水或湿气进入吸尘器上部会增加电击风险。**
- ▶ **将吸尘器与正常接地的电网连接。电源插座和延长线必须带有功能完好的安全引线。**

### 图标

以下符号可以帮助您正确地使用本吸尘器。请记住各符号和它们的代表意思。正确了解各符号的代表意思，可以让您更有把握更安全地操作本吸尘器。

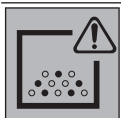
#### 图标及其含义



**警告！** 请阅读所有安全规章和指示。不遵守安全规章和指示可能会导致触电、着火和/或严重伤害。



符合IEC/EN 60335-2-69粉尘等级L的吸尘器，用于干式抽取危害健康的粉尘（粉尘爆炸限值为 > 1 毫克/立方米）



**警告！** 吸尘器内含有害粉尘。仅允许由专业人员执行清空和保养操作，包括清除集尘容器。要求使用相应的防护装备。切勿在过滤系统不完整和未仔细安装好的情况下使用吸尘器。否则会危害身体健康。

### 产品和性能说明



请阅读所有安全规章和指示。不遵照以下警告和说明可能导致电击、着火和/或严重伤害。请注意本使用说明书开头部分的图示。

#### 按照规定使用

本吸尘器可以收集、吸除、运输和存放非易燃的干粉尘、非易燃液体和气水混合物。本吸尘器经过粉尘技术的检验并符合尘埃等级L。因其较高的负载适合使用在商业用途中，例如手工业、工业和修理厂。

符合IEC/EN 60335-2-69粉尘等级L的吸尘器只允许用于抽取危害健康的粉尘（粉尘爆炸限值 > 1毫克/立方米）。

必须熟悉所有的操作功能，并且能够不受限制地执行各功能时才可以对本吸尘器。否则得有充分的指导才能够操作本吸尘器。

### 插图上的机件

图示组件的编号和吸尘器详解图上的编号一致。

- (1) 集尘箱
- (2) 软管定位件
- (3) 电动工具电源插座
- (4) 电源开关
- (5) 提柄
- (6) 吸尘器上半部
- (7) 吸尘器上半部锁止件
- (8) 滚轮
- (9) 导向滚轮
- (10) 导向滚轮制动器
- (11) SFC开关
- (12) 吸尘适配接头支架
- (13) 电缆支架
- (14) 抽吸软管固定架
- (15) 缝隙吸嘴/弯曲吸嘴支架
- (16) 粗污物吸嘴支架
- (17) 抽吸软管
- (18) 吸尘适配接头
- (19) 弯曲吸嘴
- (20) 垃圾袋
- (21) 吸管
- (22) 粗污物吸嘴
- (23) 缝隙吸嘴
- (24) 按键
- (25) 抽吸软管支架定位座
- (26) 渗入空气口
- (27) 过滤器支架
- (28) 折叠式过滤器
- (29) 浮标

### 技术参数

湿式/干式吸尘器		GAS 15 L SFC
物品代码		3 601 J7B 0..
额定电压	伏特	220-240
额定输入功率	瓦	1200
频率	赫兹	50-60
容器容量（毛容量/净容量）	升	19/15
净容积（液体）	升	11,5
集尘纸袋容量	升	7.5

湿式/干式吸尘器		GAS 15 L SFC
最大真空 <sup>A)</sup>		
- 吸尘器	百帕	202
- 涡轮	百帕	215
最大体积容量 <sup>A)</sup>		
- 吸尘器	升/秒	50
	立方米/秒	0.05
- 涡轮	升/秒	62
	立方米/秒	0,062
最大吸尘功率	瓦	245
折叠式过滤器面积	平方米	0.28
粉尘等级		L
重量符合EPTA-Procedure 01:2014	公斤	6,4
保护等级		⊕/I
防护类型		IPx4

A) 使用直径为35 mm和长度为3 m的抽吸软管测量所有参数适用于230伏的额定电压[U]，对于其他不同的电压和国际规格，数据有可能不同。

自动启停 <sup>A)</sup>			
	额定电压	最大功率	最小功率
CN	220-230伏特	2000瓦	100瓦
KO	220-230伏特	2000瓦	100瓦
TH	220-230伏特	2000瓦	100瓦
ID	220-230伏特	2000瓦	100瓦
VI	220-230伏特	2000瓦	100瓦
ID	220-230伏特	2000瓦	100瓦

A) 说明所连接的电动工具的允许连接功率（视国家而定）

## 安装

- ▶ 在保养或清洁吸尘器、调整设备、更换配件或收起吸尘器前，先拔下插头。这一项预防措施能防止意外启动吸尘器。

### 安装吸尘器配件（见图片A）

抽吸软管(17)装备有卡子系统，可以通过吸尘器配件（吸尘适配器(18)、弯曲吸嘴(19)）连接。

#### 安装吸嘴和管道

- 将弯曲吸嘴(19)插到抽吸软管(17)上，直到听见抽吸软管的两个按钮(24)的卡止声。
- 然后将所需的吸尘器配件（粗污物吸嘴、缝隙吸嘴、吸气管等）牢牢地插到弯曲吸嘴(19)上。
- 拆除时向内按压两个按钮(24)，并将部件拉开。

#### 安装吸尘适配接头

- 将吸尘适配器(18)插到抽吸软管(17)上，直到听见抽吸软管的两个按钮(24)的卡止声。

- 拆除时向内按压两个按钮(24)，并将部件拉开。

### 安装抽吸软管支架（参见插图B）

- 将抽吸软管(17)支架(14)牢牢推入规定的定位座(25)，直至其卡入。

### 安装抽吸软管（参见插图C）

- 将抽吸软管(17)牢牢插入软管定位件(2)。

**提示：**吸尘时由于灰尘在抽吸软管和配件中摩擦而产生静电，用户能感觉到静电放电（取决于环境条件和身体感知）。

一般博世建议在抽吸细小的灰尘和干燥材料时使用防静电抽吸软管（配件）。

### 装入/取出垃圾袋或集尘袋（干式吸尘）（参见插图D1-D2）

干式吸尘时将一个垃圾袋(20)或集尘袋（配件）装入集尘箱(1)中。这样能简化粉尘的处理。

#### 装入垃圾袋

- 打开锁止件(7)，取下吸尘器上半部(6)。
- 将垃圾袋(20)加注口朝前放入集尘箱(1)中。
- 将加注口套在接头法兰上直至接头法兰的凹槽内。
- 确保垃圾袋(20)完全贴在集尘箱(1)的内壁上。
- 将垃圾袋(20)的剩余部分盖在集尘箱(1)的边缘上。
- 装上吸尘器上半部(6)并闭合锁止件(7)。

#### 取出垃圾袋并封口

- 打开锁止件(7)，取下吸尘器上半部(6)。
- 将整个垃圾袋(20)向后从接头法兰上拉下。
- 将垃圾袋(20)小心地从集尘箱(1)中取出，避免将其损坏。  
注意切勿将垃圾袋划过头法兰或其他尖锐物品上。
- 将垃圾袋(20)在加注口下方系好。

#### 更换/安装集尘袋（附件）

- 打开锁止件(7)，取下吸尘器上半部(6)。
- 将整个集尘袋向后从接头法兰上拉下。撤回盖子盖住集尘袋上的开口。将密封的集尘袋从集尘箱(1)中取出。
- 将全新的集尘袋套在吸尘器的接头法兰上。确认集尘袋在整个长度上都紧贴集尘箱(1)的内壁。
- 装上吸尘器上半部(6)并闭合锁止件(7)。

## 运行

- ▶ 在保养或清洁吸尘器、调整设备、更换配件或收起吸尘器前，先拔下插头。这一项预防措施能防止意外启动吸尘器。

使用吸尘器时注意，要用导向滚轮制动(10)卡住导向滚轮(9)，以防止吸尘器无意间滚动。使用之前在相应地面上测试转动轮(8)和导向滚轮(9)的功能。

## 投入使用

- ▶ **注意电源电压！** 电源的电压必须和吸尘器铭牌上标示的电压一致。标记为230伏的吸尘器也可用220伏电压运行。
- ▶ **请了解在贵国处理有损健康的灰尘时需遵守的现行法规/法律。**

吸尘器允许用于吸除以下材料：

- 粉尘爆炸限值大于1毫克/立方米

基本上不可以有爆炸危险的场所使用本吸尘器。为保障最佳的吸尘功率，必须将抽吸软管(17)完全从吸尘器上半部(6)展开。

## 干式吸尘

### 吸除积尘

- 接通吸尘器时，请短促按压起停开关(4)。
- 关闭吸尘器时，请重新按压起停开关(4)。

### 吸除运行中的电动工具的积尘（参见插图E）

- ▶ **如果废气回流至室内，必须保证在室内有充足的空气交换率（L）。注意各国有关的法规。**

在吸尘器中内置了一个保险插座(3)。您可在那连接一个外部的电动工具。注意所连接的电动工具的最大允许连接功率。

- 安装吸尘适配器(18)（参见“安装吸尘适配器头”，页14）。
- 将吸尘适配器头(18)插入电动工具的抽吸套管中。

**提示：**在操作抽吸软管中进气较少的电动工具时（比如曲线锯、砂轮机），必须打开吸尘适配器头(18)的渗入空气口(26)。只有这样才能顺利地进行半自动过滤器清洁（SFC）。为此转动渗入空气口(26)上方的环，直到开口打开至最大。

- 如要使用吸尘器的自动启停功能，请短促按压起停开关(4)。
- 如要使用吸尘器，启动与插座(3)连接的电动工具。此时吸尘器会自动连动。
- 关闭电动工具，以结束吸尘作业。  
自动启停功能最多延迟运行15秒钟，以吸除抽吸软管中剩余的灰尘。
- 如要关闭吸尘器，请按压起停开关(4)。

## 湿式吸尘

- ▶ **切勿用吸尘器抽吸可燃或爆炸性液体，比如汽油、机油、酒精、溶剂。切勿抽取高温、燃烧的或爆炸性粉尘。切勿在易爆环境中使用吸尘器。**  
上述粉尘、蒸汽或液体可能自燃或爆炸。
- ▶ **吸尘器不得作为水泵使用。**吸尘器专为抽取空气和水的混合物而设计。

### 湿式吸尘前的工作步骤

- 打开锁止件(7)，取下吸尘器上半部(6)。
- 必要时，拆下垃圾袋(20)或集尘袋。
- 按需清空集尘箱(1)。
- 装上吸尘器上半部(6)并闭合锁止件(7)。

### 吸除液体

- 接通吸尘器。

吸尘器配有一个浮标。若达到了最高加注高度，则结束吸尘。

- 关闭吸尘器。
- 清空集尘箱(1)。

湿式吸尘后为了避免形成霉菌：

- 取下吸尘器上半部(6)，取出折叠式过滤器(28)并让两者充分风干。

### 半自动过滤器清洁 (见图片F)

最迟在吸尘功效慢慢减弱时，务必启动此功能。

过滤器的清洁频率视粉尘种类和粉尘量而定。定期使用过滤器清洁功能，可以确保机器的最大吸尘功率。

在半自动过滤器清洁(SFC)时，通过逆转气流清洁过滤器片层上沉积的灰尘。

表面脏污的折叠式过滤器功能完全正常。无需通过拍打或吹净扁平折叠式过滤器进行手动清洁，这甚至会损坏过滤器。

#### 启动SFC过滤器清洁

- 用手掌封住喷嘴和抽吸软管口。
- 按压三次SFC开关(11)。

## 维修和服务

### 保养和清洁

- ▶ 在保养或清洁吸尘器、调整设备、更换配件或收起吸尘器前，先拔下插头。这一项预防措施能防止意外启动吸尘器。
- ▶ 吸尘器和通气孔必须随时保持清洁，以确保工作效率和工作安全。
- ▶ 在保养和清洁吸尘器时带上防尘面具。

如果必须更换连接线，务必把这项工作交给Bosch或者经授权的Bosch电动工具顾客服务执行，以避免危害机器的安全性能。

操作者自行维修吸尘器时要先拆开吸尘器，然后在可执行的范围内进行清洁的工作，清洁时绝对不可以对维修者本身或他人造成危险。拆开吸尘器之前应该先清洗吸尘器，以避免可能发生的危险。拆开吸尘器的场所必须保持通风良好。进行维修时得穿戴好个人的防护装备。维修后应该要能够达到彻底清洁维修部位的效果。

每年至少一次，由制造商或经过培训的人员进行一次吸尘功能的检查，例如检查过滤器是否有损坏，吸尘器的密闭性以及控制装备的功能等。

如果粉尘等级L的吸尘器曾位于脏污环境中，则应清洁外部以及所有机器部件或用密封剂进行处理。执行保养和维修操作时，必须对所有清洁未达到满意程度的零件作废弃处理。此类零件必须装在不通透的袋子里，按照此类废弃物运行的规定进行处理。

- 请不时地用湿布清洁吸尘器壳体。

### 排除故障

### 清洁容器


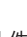
- 请不时地用市售非研磨性清洁剂擦拭容器(1)并晾干。

### 清洁滤器

定期清空集尘腔并清洁过滤器能保障最佳吸尘功效。做完上述的检查措施后，如果吸尘功率仍然未改善，必须把吸尘器交给顾客服务处检修。

#### 取出/更换过滤器 (见图片G1-G2)

请立即更换损坏的折叠式过滤器。

- 打开锁止件(7)，取下吸尘器上半部(6)。
- 将过滤器固定架(27)沿旋转方向旋转至极限位位置，然后将过滤器固定架连同折叠式过滤器(28)从吸尘器上半部(6)中取出。
- 将脏污/损坏的折叠式过滤器(28)从过滤器固定架(27)中拔出。
- 请用软刷刷除折叠式过滤器(28)上的膜片。或更换损坏的折叠式过滤器(28)。
- 将过滤器固定架(27)装到清洁好的/新的折叠式过滤器(28)上。
- 将过滤器固定架(27)连同折叠式过滤器(28)装入吸尘器上半部，然后将过滤器固定架(27)沿旋转方向旋转至极限位位置。
- 装上吸尘器上半部(6)并闭合锁止件(7)。

### 清洁浮标 (参见插图H)

偶尔清洁浮标(29)。

- 打开锁止件(7)，取下吸尘器上半部(6)。
- 将过滤器固定架(27)连同折叠式过滤器(28)从吸尘器上半部(6)中取出。
- 将折叠式过滤器(28)从过滤器固定架(27)中拔出。
- 用水清洗浮标(29)。
- 将过滤器固定架(27)以及折叠式过滤器(28)再次装入吸尘器上半部(6)。
- 装上吸尘器上半部(6)并闭合锁止件(7)。

### 存放和搬运 (见图片I)

- 清空并清洁集尘箱(1)。为了避免形成霉菌，请确保折叠式过滤器(28)和吸尘器内部区域保持干燥。
- 将电源线缠到电线支架(13)上。
- 将配件插入规定的支架内：吸尘适配接头(18)插入支架(12)，缝隙吸嘴(23)插入支架(15)，粗污物吸嘴(22)插入支架(16)。
- 将抽吸软管(17)绕住吸尘器上半部装入固定架(14)。
- 用手提把手(5)提起吸尘器。
- 在干燥的地方存储吸尘器，防止未经授权使用。
- 为固定导向滚轮(9)，请踩下导向滚轮制动器(10)。



- ▶ 当出现故障时（比如过滤器破裂），必须立即关闭吸尘器。排除故障后才可以重新使用。

问题	解决措施
吸风机无法启动。	- 检查电源线、电源插头、保险丝、插座和浮标(29)。 - 短促按压起停开关(4)或接通已连接在插座上的电动工具(3)。
吸风机关闭。	- 清空集尘箱(1)。
在排空集尘箱后吸风机无法再次启动。	- 关闭吸尘器并等待5秒，5秒后再次打开。 - 清洁浮标(29)。
吸力下降。	- 清除吸嘴、吸管(21)、抽吸软管(17)或折叠式过滤器(28)的堵塞物。 - 更换垃圾袋(20)或集尘袋。 - 正确安装吸尘器上半部(6)并闭锁紧件(7)。 - 更换折叠式过滤器(28)。
吸尘时灰尘溢出	- 检查折叠式过滤器(28)是否正确安装。 - 更换折叠式过滤器(28)。
自动断开装置（湿式吸尘）不响应。	- 清洁浮标(29)。 对于不导电的液体或在形成泡沫时，自动断开装置不工作。 - 持续监控加注高度。

## 客户服务和应用咨询

本公司顾客服务处负责回答有关本公司产品的修理、维护和备件的问题。备件的展开图纸和信息也可查看：[www.bosch-pt.com](http://www.bosch-pt.com)  
博世应用咨询团队乐于就我们的产品及其附件问题提供帮助。

询问和订购备件时，务必提供机器铭牌上标示的10位数物品代码。

### 中国大陆

博世电动工具（中国）有限公司  
中国 浙江省 杭州市  
滨江区 滨康路567号  
102/1F 服务中心  
邮政编码：310052  
电话：(0571)8887 5566 / 5588  
传真：(0571)8887 6688 x 5566# / 5588#  
电邮：[bsc.hz@cn.bosch.com](mailto:bsc.hz@cn.bosch.com)  
[www.bosch-pt.com.cn](http://www.bosch-pt.com.cn)

### 制造商地址：

Robert Bosch Power Tools GmbH  
罗伯特·博世电动工具有限公司  
70538 Stuttgart / GERMANY  
70538 斯图加特 / 德国

### 其他服务地址请见：

[www.bosch-pt.com/serviceaddresses](http://www.bosch-pt.com/serviceaddresses)

## 处理废弃物

必须使用符合环保要求的方式处理废弃的吸尘器、附件和包装材料。



请勿将吸尘器扔到生活垃圾中！

## 繁體中文

## 安全注意事項

### 吸塵器安全注意事項



請詳讀所有安全注意事項和指示。如未遵守安全注意事項與指示，可能導致火災、人員遭受電擊及/或重傷。

請妥善保存所有安全注意事項與指示，以供日後查閱之用。

- ▶ 本吸塵器不適合兒童以及體能、知覺或智能有障礙之人士，或者不具備充分經驗及知識者使用。否則可能會造成操作上的錯誤以及受傷危險。
- ▶ 請留意兒童的安全。如此才能確保他們未將本吸塵器當做玩具任意玩耍。

- ▶ 請勿用於吸除榉木屑、橡木屑、礦物粉塵或石棉。這些物質已認定為致癌物。

### 警告

您必須先瞭解吸塵器本身的使用方式、欲吸除之物質以及安全處置該物質的方式等相關資訊之後，才可開始使用吸塵器。謹慎的事前教育訓練可減少操作錯誤或人員受傷。

### 警告

吸塵器本身僅適合用於吸除乾燥材料，並且在採取適當措施後亦可用來吸除液體。如有液體滲入將增加觸電風險。

- ▶ 吸塵器切勿用於吸除汽油、機油、酒精、溶劑等可燃或易爆液體。切勿用於吸除高溫、燃燒中或具爆炸性的粉塵。吸塵器不得在具有爆炸危險之空間裡運轉。上述灰塵、蒸氣或液體可能自燃或爆炸。

**警告** 此插座僅可用於操作說明書中指定的用途。

**警告** 若有任何泡沫漏出機外或有水滲出，請立刻關閉吸塵器電源並清空容器。否則吸塵器可能損壞。

- ▶ **注意！** 僅可在室內使用及儲藏本吸塵器。如有雨水和濕氣滲入吸塵器上部，將增加觸電風險。
- ▶ **注意！** 定期清潔浮球，並檢查該部件有無受損。否則，浮球的運作功能可能受影響。
- ▶ 如果無法避免在潮濕環境下操作吸塵器，應使用漏電保護開關。使用漏電保護開關可降低觸電風險。
- ▶ 每次使用前，請仔細檢查吸塵器、電線及插頭。若有發現任何受損現象，請勿使用吸塵器。請勿自行折開吸塵器，而是應該將它交由合格的專業技師以原廠替換零件進行維修。吸塵器、電線和插頭如果損壞了，將增加觸電風險。
- ▶ 不可輾壓或擠壓電線。將插頭拔出插座時或移動吸塵器時，請勿直接拉扯電線。損壞的電線將增加觸電風險。
- ▶ 在維護或清潔吸塵器、進行設備設定、更換配件或儲藏吸塵器之前，請先將插頭從插座上拔下。此預防措施可以防止吸塵器意外啟動。
- ▶ 要確保工作場所通風良好。
- ▶ 請務必將吸塵器交由合格的專業技師以原廠替換零件進行維修。如此才能確保吸塵器的安全性。

**警告** 本吸塵器內含危害人體健康的粉塵。所有清空及維護作業（包含清除集塵容器在內）僅可交由受過專業訓練的人員執行。必須穿戴適當的防護裝備。過濾裝置若未裝配齊全或未謹慎裝入，本吸塵器不得運轉。否則將危害您的身體健康。

- ▶ 正式運轉前，請確認吸塵軟管是否狀況良好。此時請將吸塵軟管確實裝到吸塵器上，以免粉塵意外洩露。若不這樣做，您可能會吸入廢塵。
- ▶ 切勿將吸塵器當作椅子使用。這樣可能造成吸塵器損壞。
- ▶ 使用電源線及吸塵軟管時，請您小心謹慎。因為上述部件可能危及他人安全。
- ▶ 清潔時，勿用水柱直噴吸塵器。如有水滲入吸塵器上部，將增加觸電風險。
- ▶ 請將吸塵器連接至合規的已接地市電電力網。插座與延長線都必須具有接地保護設計。

## 符號

以下符號可以幫助您正確地使用本吸塵器。請牢記各符號和它們的代表意義。正確了解各符號的代表意義，可以讓您更有把握更安全地操作本吸塵器。

## 符號和它們的代表意義



**警告！** 請詳讀所有安全注意事項和指示。如未遵守安全注意事項與指示，可能導致火災、人員觸電及/或重傷。



此吸塵器的除塵等級為 L，符合 IEC/EN 60335-2-69，這是針對乾式吸塵暴露濃度 > 1 mg/m<sup>3</sup> 之有害粉塵而制定的標準規範。



**警告！** 本吸塵器內含危害人體健康的粉塵。所有清空及維護作業（包含清除集塵容器在內）僅可交由受過專業訓練的人員執行。必須穿戴適當的防護裝備。過濾裝置若未裝配齊全或未謹慎裝入，本吸塵器不得運轉。否則將危害您的身體健康。

## 產品和功率描述



請詳讀所有安全注意事項和指示。如未遵守安全注意事項與指示，可能導致火災、人員觸電及/或重傷。

請留意操作說明書中最前面的圖示。

## 依規定使用機器

本吸塵器適用於收集、吸除、輸送和分離不可燃之乾燥粉塵、不可燃液體以及水與空氣的混合物。本吸塵器已接受過粉塵技術性檢驗，並且符合粉塵等級 L。此吸塵器可適用於工商業界之高密度使用頻率，例如：手工業、工業和維修廠。

符合 IEC/EN 60335-2-69 的除塵等級 L 吸塵器僅適用於吸除暴露濃度 > 1 mg/m<sup>3</sup> 的有害粉塵。

必須熟悉所有的操作功能，並且能夠不受限制地執行各功能時才可以使用本吸塵器。否則須接受充分指導才能操作本吸塵器。

## 插圖上的機件

機件的編號和吸塵器詳解圖上的編號一致。

- (1) 集塵容器
- (2) 軟管接口
- (3) 連接電動工具的插座
- (4) 電源按鈕
- (5) 提把
- (6) 吸塵器上部
- (7) 吸塵器上部鎖扣
- (8) 滾輪
- (9) 轉向滾輪
- (10) 轉向滾輪制動器
- (11) SFC 開關
- (12) 吸塵轉接頭的固定裝置

- (13) 電線托架
- (14) 吸塵軟管固定裝置
- (15) 縫隙吸頭 / 彎管吸頭的固定裝置
- (16) 粗大髒污吸頭的固定裝置
- (17) 吸塵軟管
- (18) 吸塵轉接頭
- (19) 彎管吸頭
- (20) 廢棄物處理袋
- (21) 吸塵硬管
- (22) 粗大髒污吸頭
- (23) 隙縫吸頭
- (24) 按鈕
- (25) 吸塵軟管固定裝置的承座
- (26) 漏風開口
- (27) 濾網固定裝置
- (28) 折疊式過濾器
- (29) 浮球

### 技術性數據

濕式 / 乾式吸塵器		GAS 15 L SFC	
產品機號		3 601 J7B 0..	
額定電壓	V	220-240	
額定輸入功率	W	1200	
頻率	Hz	50-60	
集塵容器容量 (毛重 / 淨重)	l	19/15	
淨容量 (液體)	l	11.5	
集塵袋容量	l	7.5	
最大負壓 <sup>A)</sup>			
- 吸塵器	hPa	202	
- 渦輪	hPa	215	
最大體積流量 <sup>A)</sup>			
- 吸塵器	l/s	50	
	m <sup>3</sup> /s	0.05	
- 渦輪	l/s	62	
	m <sup>3</sup> /s	0.062	
最大吸力	W	245	
折疊式過濾器面積	m <sup>2</sup>	0.28	
除塵等級		L	
重量符合 EPTA-Procedure 01:2014	kg	6.4	
絕緣等級		⊕/I	
防護等級		IPx4	

A) 使用直徑 35 mm、長度 3 m 的吸塵軟管進行測量  
本說明書提供的參數是以 230 伏特為依據，於低電壓地區，此數據有可能不同。

### 自動開始 / 停止運轉<sup>A)</sup>

	額定電壓	最大功率	最小功率
CN	220-230 V	2000 W	100 W
KO	220-230 V	2000 W	100 W
TH	220-230 V	2000 W	100 W
ID	220-230 V	2000 W	100 W
VI	220-230 V	2000 W	100 W
ID	220-230 V	2000 W	100 W

A) 所連接之電動工具的允許連接功率相關說明  
(視國別而有所不同)

## 安裝

- ▶ 在維護或清潔吸塵器、進行設備設定、更換配件或儲藏吸塵器之前，請先將插頭從插座上拔下。此預防措施可以防止吸塵器意外啟動。

### 安裝吸塵器配件 (請參考圖 A)

吸塵軟管 (17) 採用卡夾系統，可直接連接吸塵器配件 (吸塵轉接頭 (18)、彎管吸頭 (19))。

#### 安裝吸頭和硬管。

- 將彎管吸頭 (19) 插在吸塵軟管 (17) 上，直至聽見吸塵軟管的兩個按鈕 (24) 卡上的聲音。
- 然後將所需吸塵配件 (粗大髒污吸頭、隙縫吸頭、吸塵硬管等) 牢牢插在彎管吸頭 (19) 上。
- 拆卸時，將按鈕 (24) 往內按壓，然後拔開零組件即可。

#### 安裝吸管接頭

- 將吸塵轉接頭 (18) 插在吸塵軟管 (17) 上，直至聽見吸塵軟管的兩個按鈕 (24) 卡上的聲音。
- 拆卸時，將按鈕 (24) 往內按壓，然後拔開零組件即可。

### 安裝吸塵軟管固定裝置 (請參考圖 B)

- 將吸塵軟管 (17) 的固定裝置 (14) 緊推入為其設置的支座 (25) 中直到卡入。

### 安裝吸塵軟管 (請參考圖 C)

- 將吸塵軟管 (17) 牢固地插入軟管接口 (2)。

**提示：**吸塵時，因吸塵軟管內與吸塵配件內的粉塵相互摩擦形成靜電，使用者可能感覺其靜電釋放 (視環境因素和身體感受而定)。  
博世建議您：抽吸細微粉塵和乾燥物質時原則上請使用抗靜電吸塵軟管 (配件)。

### 安裝 / 取出廢棄物處理袋或集塵袋 (乾式吸塵) (請參考圖 D1D2)

進行乾式吸塵時，可將廢棄物處理袋 (20) 或集塵袋 (配件) 裝入集塵箱 (1) 內。這會讓處理灰塵更輕鬆。

#### 裝入廢棄物處理袋

- 打開鎖扣 (7) 並取下吸塵器上部 (6)。

- 將廢棄物處理袋(20)的裝填口朝前然後裝入集塵箱(1)內。
- 將連接法蘭上的裝填口拉入連接法蘭的凹槽。
- 請確認，廢棄物處理袋(20)整個緊貼在集塵箱內壁(1)上。
- 將廢棄物處理袋(20)的剩餘部分撐開套在集塵箱邊緣(1)上。
- 套上吸塵器上部(6)，然後扣上鎖扣(7)。

#### 取出並封好廢棄物處理袋

- 打開鎖扣(7)並取下吸塵器上部(6)。
- 將已裝滿的廢棄物處理袋(20)從連接法蘭上往後拔下。
- 小心地將廢棄物處理袋(20)從集塵箱(1)上取下，但請勿造成塑膠袋破損。同時請注意，廢棄物處理袋不可刮擦到連接法蘭或其他尖銳物品。
- 將廢棄物處理袋(20)繫在裝填口下方。

#### 更換/安裝集塵袋(配件)

- 打開鎖扣(7)並取下吸塵器上部(6)。
- 將已裝滿的集塵袋從連接法蘭上往後拔下。掀開蓋子蓋住集塵袋上的開口。將封好的集塵袋取出集塵箱(1)。
- 將新的集塵袋套捲套在吸塵器的連接法蘭上。請確認，集塵袋整個長度都緊貼在集塵箱內壁(1)上。
- 套上吸塵器上部(6)，然後扣上鎖扣(7)。

## 操作

- ▶ 在維護或清潔吸塵器、進行設備設定、更換配件或儲藏吸塵器之前，請先將插頭從插座上拔下。此預防措施可以防止吸塵器意外啟動。

操作吸塵器時，請注意轉向滾輪(9)和滾輪制動器(10)已卡住，防止吸塵器意外滑移。使用前，請在各種表面上測試滾輪(8)和轉向滾輪(9)的功能。

#### 操作機器

- ▶ **注意電源的電壓！**電源的電壓必須和吸塵器銘牌上標示的電壓一致。標示為 230 V 的吸塵器亦可接上 220 V 電源。

- ▶ 請遵循所在地關於有害廢塵的適用規範/法律。

本吸塵器可以吸集以下的物體：

- 暴露濃度 > 1 mg/m<sup>3</sup> 的粉塵

原則上不能在具有爆炸危險的場所內使用本吸塵器。

為確保能達到最佳吸力，必須隨時將吸塵軟管(17)從吸塵器上部(6)一路完全伸展開來。

#### 乾式吸塵

##### 吸除積塵

- 若要**啟動**吸塵器，請短按一下電源按鈕(4)。
- 若要**關閉**吸塵器，請再按一次電源按鈕(4)。

#### 吸除電動工具運轉時產生的粉塵(請參考圖 E)

- ▶ 氣體若是排放至室內，則須要有足夠的通風。請注意相關的國內規定。

吸塵器有內建一個接地插座(3)。您可從該處連接外部電動工具。請注意所連接之電動工具的最大允許連接功率。

- 請安裝吸塵轉接頭(18)(參見「安裝吸管接頭」, 頁 19)。

- 將吸塵轉接頭(18)插入電動工具的吸塵接管內。

**提示：**使用電動工具進行作業時，若吸塵軟管的進氣量很少(例如：線鋸機、打磨機等)，則必須打開吸塵轉接頭(18)漏風開口(26)。如此半自動濾網清潔功能(SFC)才能正常運作。

此時須轉動漏風開口上方的圓環(26)，直到開口達到最大。

- 若要**吸塵器自動開始/停止運轉**，請短按一下電源按鈕(4)。
- 啟動連接在插座(3)上的電動工具，吸塵器即可開始運轉。此時吸塵器會自動運動。
- 關閉電動工具時，**吸塵功能**也會同時**停止**。自動開始/停止運轉的延時運轉功能將使機台繼續運轉 15 秒鐘，以吸除吸塵軟管內殘留的塵垢。
- 若要**關閉**吸塵器，請按一下電源按鈕(4)。

#### 濕式吸塵

- ▶ 吸塵器切勿用於吸除汽油、機油、酒精、溶劑等可燃或易爆液體。切勿用於吸除高溫、燃燒中或具爆炸性的粉塵。吸塵器不得在具有爆炸危險之空間裡運轉。上述灰塵、蒸氣或液體可能自燃或爆炸。

- ▶ 不得將本吸塵器當做水泵使用。吸塵器的設計是適用於吸除水液與空氣的混合物。

#### 進行濕式吸塵前的工作步驟

- 打開鎖扣(7)並取下吸塵器上部(6)。
- 視需要拆除廢棄物處理袋(20)或集塵袋。
- 必要時清空集塵容器(1)。
- 套上吸塵器上部(6)，然後扣上鎖扣(7)。

#### 吸除液體

- 啟動吸塵器。

吸塵器裝有浮球。達到最高裝填高度時，就會停止吸塵動作。

- 關閉吸塵器。
- 清空集塵容器(1)。

進行濕式吸塵後，為避免發霉：

- 請取下吸塵器上部(6)，取出折疊式過濾器(28)，讓所有東西徹底乾燥。

#### 半自動濾網清潔功能(請參考圖 F)

最遲在吸力不足後，就必須使用此功能。

濾網的清潔次數，得視粉塵種類和粉塵量而定。定期使用過濾網清潔功能，可讓機器長時間保有最大吸力。

若為半自動濾網清潔功能 (SFC)，則回流的空氣會清除掉濾網層上堆積的灰塵。

折疊式濾網即使表面髒污還是能發揮應有作用。您不必以敲拍或吹氣方式親自清潔平折式濾網，這樣做反而可能造成濾網損壞。

#### 觸發半自動濾網清潔功能 (SFC)

- 用手掌堵住吸頭開口或吸塵軟管。
- 按壓 SFC 開關 (11) 三次。

## 維修和服務

### 保養與清潔

- ▶ 在維護或清潔吸塵器、進行設備設定、更換配件或儲藏吸塵器之前，請先將插頭從插座上拔下。此預防措施可以防止吸塵器意外啟動。
- ▶ 吸塵器和通氣孔必須隨時保持清潔，以確保工作效率和工作安全。
- ▶ 維修和清潔吸塵器時，請戴上防塵面罩。

如果必須更換連接線，請務必交由 **Bosch** 或者經授權的 **Bosch** 電動工具顧客服務執行，以避免危害機器的安全性能。

操作者自行維修吸塵器時要先拆開吸塵器，然後在可執行的範圍內進行清潔的工作，清潔時絕對不可以對維修者本身或他人造成危險。拆開吸塵器之前應該先清潔吸塵器，以防止可能發生的危險。拆開吸塵器的場所必須保持通風良好。進行維修時得穿戴好個人的防護裝備。維修後，應要清潔維修部位。

每年至少一次，本產品得交由製造商或經過培訓的人員進行一次吸塵功能檢查，例如檢查濾網是否損壞，吸塵器的密閉性以及控制裝置的功能等。

**L** 等級吸塵器只要曾暴露在高污染環境中，就必須仔細清潔其外殼以及機器所有部位，或者請您用密封材料仔細包好。待維修保養時，已髒污的部件若無法完全清潔乾淨，就必須全部丟棄。這些部件必須丟置在按現行廢棄法規規定該物必須使用的防滲透袋內。

- 您可以每隔一段時間以濕布清潔吸塵器外部。

#### 清潔集塵箱

- 請您每隔一段時間使用一般市售無研磨作用的清潔劑將集塵箱 (1) 擦拭乾淨，然後晾乾。

#### 清潔濾器



定期清空集塵箱並清潔濾網，以確保最佳吸力。做完上述的檢查措施後，如果吸塵效果仍未改善，必須把吸塵器交給顧客服務處檢修。

### 排除故障

- ▶ 發生故障時 (例如濾網破裂)，必須立刻將吸塵器關閉。必須將故障排除，然後才能重新運轉。

### 取出/更換濾網 (請參考圖 G1-G2)

折疊式濾網如有受損，請立即更換。

- 打開鎖扣 (7) 並取下吸塵器上部 (6)。
- 沿旋轉方向  將濾網固定裝置 (27) 轉到底，然後將濾網固定裝置連同折疊式過濾器 (28) 一起從吸塵器上部 (6) 取出。
- 將髒污/受損的折疊式過濾器 (28) 從濾網固定裝置 (27) 上拔下。
- 用軟刷將折疊式過濾器 (28) 的濾網層清乾淨。或  
更換已損壞的折疊式過濾器 (28)。
- 將濾網固定裝置 (27) 放置到已清潔好的/新的折疊式過濾器 (28)。
- 濾網固定裝置 (27) 連同折疊式過濾器 (28) 一起插入吸塵器上部，然後將濾網固定裝置 (27) 沿旋轉方向轉到底 。
- 套上吸塵器上部 (6)，然後扣上鎖扣 (7)。

### 清潔浮球 (請參考圖 H)

偶爾清潔浮球 (29)。

- 打開鎖扣 (7) 並取下吸塵器上部 (6)。
- 將濾網固定裝置 (27) 連同折疊式過濾器 (28) 一起從吸塵器上部 (6) 取出。
- 將折疊式過濾器 (28) 從濾網固定裝置 (27) 上拔下。
- 用清水清洗浮球 (29)。
- 將濾網固定裝置 (27) 連同折疊式過濾器 (28) 再次一起插入吸塵器上部 (6)。
- 套上吸塵器上部 (6)，然後扣上鎖扣 (7)。

### 儲放和搬運 (請參考圖 I)

- 清空並清潔集塵容器 (1)。為避免發霉，請確保折疊式過濾器 (28) 和吸塵器內部乾燥。
- 將電源線纏繞在電線托架 (13) 上。
- 將配件放入專用固定裝置中：固定裝置 (12) 中的吸塵轉接頭 (18)、固定裝置 (15) 中的除縫吸頭 (23)、固定裝置 (16) 中的粗大髒污吸頭 (22)。
- 讓吸塵軟管 (17) 環繞吸塵器上部，然後掛入固定裝置 (14) 內。
- 請從提把 (5) 處提起吸塵器。
- 將吸塵器放置在乾燥空間內，並應防止他人未經許可使用。
- 踩下轉向滾輪制動器 (10) 即可固定住轉向滾輪 (9)。

#### 問題

#### 補救措施

吸塵渦輪機未運轉。

- 全面檢查電源線、電源插頭、保險絲、插座和浮球 (29)。

- 請短按一下電源按鈕 (4) 或啟動連接在插座上的電動工具 (3)。

吸塵渦輪機關閉。

- 清空集塵箱 (1)。

문제	補救措施
吸塵渦輪機在集塵箱清空後未重新運轉。	- 關閉吸塵器，等候 5 秒鐘後再重新啟動。 - 清潔浮球 (29)。
吸力降低。	- 清除吸頭、吸塵硬管 (21)、吸塵軟管 (17) 或折疊式過濾器 (28) 上的阻塞物。 - 更換廢棄物處理袋 (20) 或集塵袋。 - 正確套上吸塵器上部 (6) 並扣上鎖扣 (7)。 - 更換折疊式過濾器 (28)。
吸塵時有粉塵逸出	- 請檢查折疊式過濾器 (28) 是否安裝正確。 - 更換折疊式過濾器 (28)。
自動斷開裝置 (濕式吸塵) 未跳開。	- 清潔浮球 (29)。 在處理不會導電的液體時或在產生泡沫時，自動斷開裝置未發揮作用。 - 請定期檢查裝填狀態。

### 顧客服務處和顧客諮詢中心

本公司顧客服務處負責回答有關本公司產品的維修、維護和備用零件的問題。以下的網頁中有分解圖和備用零件相關資料：[www.bosch-pt.com](http://www.bosch-pt.com)  
如果對本公司產品及其配件有任何疑問，博世應用諮詢小組很樂意為您提供協助。  
當您需要諮詢或訂購備用零件時，請務必提供本產品型號銘牌上 10 位數的產品機號。

#### 台灣

台灣羅伯特博世股份有限公司  
建國北路一段 90 號 6 樓  
台北市 10491  
電話: (02) 7734 2588  
傳真: (02) 2516 1176  
[www.bosch-pt.com.tw](http://www.bosch-pt.com.tw)

#### 制造商地址:

Robert Bosch Power Tools GmbH  
羅伯特·博世電動工具有限公司  
70538 Stuttgart / GERMANY  
70538 斯圖加特/ 德國

#### 以下更多客戶服務處地址：

[www.bosch-pt.com/serviceaddresses](http://www.bosch-pt.com/serviceaddresses)

### 廢棄物處理

必須以符合環保要求的方式處理廢棄的吸塵器、配件和包裝材料。



吸塵器不可以丟棄在一般的家庭垃圾中！

## 한국어

### 안전 수칙

#### 진공청소기 관련 안전 수칙



모든 안전 수칙과 지침을 숙지하십시오. 다음의 안전 수칙과 지침을 준수하지 않으면 화재 위험이 있으며 감전 혹은 중상을 입을 수 있습니다.

안전 수칙과 지침서는 계속 보관하시기 바랍니다.

▶ **본 진공청소기는 어린이나 정신 지체 및 신체 부자유자, 혹은 경험이나 지식이 부족한 사람이 사용하기에 적합하지 않습니다.**

이를 지키지 않을 경우, 오작동과 부상의 위험이 따릅니다.

▶ **어린이는 감독이 필요합니다.**  
진공청소기를 가지고 장난치는 일이 없도록 해야 합니다.

▶ **너도밤나무 분진 또는 물푸레나무 분진, 암석 분진 또는 석면을 흡입하지 마십시오.** 이러한 물질은 암을 유발할 수 있습니다.

⚠ **경고** 진공청소기의 사용 방법, 흡입할 소재 및 이를 안전하게 제거할 수 있는 방법에 대한 정보를 충분히 숙지한 상태에서 **진공청소기를 사용하십시오.** 사용에 대한 상세한 지침을 통해 오작동 및 부상을 방지할 수 있습니다.

⚠ **경고** 건조 상태의 물질만 진공청소기로 흡입할 수 있으며, 액체를 흡입하려면 적절한 조치를 취해야 합니다. 액체가 유입될 경우 감전의 위험이 높아집니다.

- ▶ 진공청소기를 통해 가솔린, 오일, 알코올, 용매 등 가연성 혹은 폭발성 액체를 흡입해서는 안 됩니다. 고온의 발화된 분진 혹은 폭발성 분진을 흡입해서도 안 됩니다. 진공청소기를 폭발 위험이 있는 환경에서 작동하지 마십시오. 분진, 증기 및 액체로 인해 화재가 발생하거나 폭발할 수 있습니다.

**경고** 소켓은 사용 설명서에 지정된 용도로만 사용하십시오.

**경고** 거품 또는 물이 배출되는 즉시 진공청소기의 전원을 끄고 용기를 비우십시오. 진공청소기가 손상될 수 있습니다.

▶ 주의! 진공청소기는 실내에서만 사용하고 보관해야 합니다. 진공청소기 상부로 빗물이나 수분이 유입될 경우 감전의 위험이 높아집니다.

▶ 주의! 플러그를 정기적으로 깨끗이 닦고 손상되지 않았는지 확인하십시오. 그렇지 않을 경우 센서 기능이 제대로 작동하지 않을 수 있습니다.

▶ 진공청소기를 습기 찬 곳에서 사용해야 할 경우에는 누전 차단기를 사용하십시오. 누전 차단기를 사용하면 감전 위험을 줄일 수 있습니다.

▶ 사용하기 전에 항상 진공청소기, 케이블 및 플러그를 점검하십시오. 손상된 부위가 발견되면 진공청소기를 사용하지 마십시오. 진공청소기는 스스로 직접 분해하지 말고 해당 자격을 갖춘 전문 인력에게만 맡기고, 순정 대체품으로만 수리하십시오. 손상된 진공청소기, 전원 케이블 및 플러그를 사용하면 감전 위험이 높습니다.

▶ 전원 케이블을 밟거나 누르지 않도록 하십시오. 소켓에서 플러그를 당겨 빼내거나 진공청소기를 이동시키기 위해 케이블을 잡지 마십시오. 손상된 전원 케이블은 감전을 일으킬 위험이 높습니다.

▶ 진공청소기를 유지보수하거나 세척하기 전, 기기를 설정하거나 부속품을 교체하기 전, 그리고 청소기 사용 후 보관할 시에는 소켓에서 플러그를 뽑으십시오. 이는 청소기가 불필요하게 작동되거나 제품이 고장나는 것을 방지합니다.

▶ 작업장에 환기가 잘 되도록 하십시오.

▶ 진공청소기 수리는 자격있는 전문 인력에게 맡기고, 순정 대체 부품을 사용하십시오. 이를 통해 진공청소기의 안전성을 오래 유지할 수 있습니다.

**경고** 진공청소기에는 건강에 유해한 분진이 포함되어 있습니다. 분진 수집 용기 제거를 비롯하여 비우는 작업 및 유지보수 작업 시에는 전문 기술자를 통해서만 진행하십시오. 해당 보호 장비를 착용해야 합니다. 필터 시스템을 조심스럽게 끼우지 않고 완벽하지 않은 상태에서 진공청소기를 작동시키지 마십시오. 건강을 해칠 수 있습니다.

▶ 처음 가동하기 전에 진공청소기 호스에 아무런 이상이 없는지 점검하십시오. 이때 청소기에 흡입 호스를 설치하여 돌발적으로 먼지가 배출되는 일이 없게 하십시오. 그렇지 않으면 분진을 호흡할 수 있습니다.

▶ 진공청소기 위에 앉지 마십시오. 진공청소기가 손상될 수 있습니다.

▶ 전원 케이블 및 흡입 호스를 조심히 다루십시오. 그렇지 않으면 다른 사람에게 위험할 수 있습니다.

▶ 진공청소기에 직접 물을 분사하여 청소하지 마십시오. 진공청소기 상부에 물이 들어갈 경우 감전의 위험이 높아집니다.

▶ 진공청소기를 올바르게 접지된 전원 회로에 연결하십시오. 소켓과 연장 케이블에는 올바른 기능을 하는 접지선이 있어야 합니다.

## 기호

다음 기호는 진공청소기 사용에 있어 중요한 의미를 갖습니다. 그러므로 기호와 그 의미를 잘 기억해 두십시오. 기호를 제대로 이해하면 진공청소기를 더욱 쉽고 안전하게 사용할 수 있습니다.

### 기호와 의미



**경고! 모든 안전 수칙과 지침을 숙지하십시오.** 다음의 안전 수칙과 지침을 준수하지 않으면 화재 위험이 있으며 감전 혹은 중상을 입을 수 있습니다.



IEC/EN 60335-2-69에 따라 노출 한계값 > 1 mg/m<sup>3</sup>의 건강에 유해한 분진을 견딜 수 있는 용도의 분진 등급 L의 청소기



**경고! 청소기에는 건강에 유해한 분진이 포함되어 있습니다.** 분진 수집 용기 제거를 비롯하여 비우는 작업 및 유지보수 작업 시에는 전문 기술자를 통해서만 진행하십시오. 해당 보호 장비를 착용해야 합니다. 필터 시스템을 조심스럽게 끼우지 않고 완벽하지 않은 상태에서 청소기를 작동시키지 마십시오. 건강을 해칠 수 있습니다.

## 제품 및 성능 설명



**모든 안전 수칙과 지침을 숙지하십시오.** 다음의 안전 수칙과 지침을 준수하지 않으면 화재 위험이 있으며 감전 혹은

중상을 입을 수 있습니다.

사용 설명서 앞 부분에 제시된 그림을 확인하십시오.

### 규정에 따른 사용

본 청소기는 비가연성의 건조한 분진, 비가연성 액체 및 수분-공기 혼합물질을 수집, 흡입, 운반 및 저장하는 용도로 사용됩니다. 본 진공청소기는 분진 기술에 따라 테스트되었으며 분진 등급 L에 해당됩니다. 수공업계, 산업계 및 작업장 등에서 그 수요가 증가함에 따라 상업적 용도로 사용하기에 적합합니다.

## 24 | 한국어

본진 등급 L의 청소기는 IEC/EN 60335-2-69에 따라 노출 한계값 > 1 mg/m<sup>3</sup>의 건강에 유해한 분진을 흡입 및 배출하기 위한 용도로만 사용할 수 있습니다.

진공청소기의 모든 기능을 완전히 익혀 아무 문제없이 사용이 가능하거나 적당한 지시를 받은 사람만이 기기를 사용해야 합니다.

### 제품의 주요 명칭

그림의 부품에 매겨진 번호는 그래픽 페이지의 진공청소기 그림에 해당됩니다.

- (1) 용기
- (2) 호스 연결부위
- (3) 전동공구용 전원 소켓
- (4) 전원 버튼
- (5) 운반용 손잡이
- (6) 청소기 뚜껑
- (7) 청소기 뚜껑 잠금쇠
- (8) 작동 휠
- (9) 바퀴
- (10) 바퀴 브레이크
- (11) SFC 스위치
- (12) 공구 연동 어댑터용 홀더
- (13) 케이블 걸이
- (14) 흡입 호스 홀더
- (15) 틸트 노즐/곡선형 노즐 홀더
- (16) 큰 입자 오염물 노즐용 홀더
- (17) 흡입 호스
- (18) 공구 연동 어댑터
- (19) 곡선형 노즐
- (20) 폐기물 봉투
- (21) 흡입관
- (22) 큰 입자 오염물 노즐
- (23) 틸트 노즐
- (24) 누름 버튼
- (25) 흡입 호스 홀더 리테이너
- (26) 공기 통풍구
- (27) 필터 홀더
- (28) 주름 필터
- (29) 플로트

### 제품 사양

습식/건식 청소기	GAS 15 L SFC	
제품 번호	3 601 J7B 0..	
정격 전압	V	220-240
소비 전력	W	1200
주파수	Hz	50-60
용기 용량(총 용량/순 용량)	l	19/15

습식/건식 청소기	GAS 15 L SFC	
순 부피(액체)	l	11.5
먼지봉투 용량	l	7.5
최대 진공 <sup>A)</sup>		
- 청소기	hPa	202
- 터빈	hPa	215
최대 체적 유량 <sup>A)</sup>		
- 청소기	l/s	50
	m <sup>3</sup> /s	0.05
- 터빈	l/s	62
	m <sup>3</sup> /s	0.062
최대 흡입 출력	W	245
주름 필터 표면적	m <sup>2</sup>	0.28
분진 등급		L
EPTA-Procedure 01:2014에 따른 중량	kg	6.4
보호 등급		⊕/I
보호 등급		IPx4

A) Ø 35 mm 및 길이가 3 m인 흡입 호스로 측정  
자료는 정격 전압 [U] 230 V를 기준으로 한 것입니다. 전압이 다른 경우 및 국가별 사양에 따라 변동이 있을 수 있습니다.

### 시작/멈춤 자동기능<sup>A)</sup>

정격 전압	최대 출력	최소 출력
CN 220-230 V	2000 W	100 W
KO 220-230 V	2000 W	100 W
TH 220-230 V	2000 W	100 W
ID 220-230 V	2000 W	100 W
VI 220-230 V	2000 W	100 W
ID 220-230 V	2000 W	100 W

A) 연결된 전동공구의 허용 접속 부하(국가별)

## 조립

▶ 진공청소기를 유지보수하거나 세척하기 전, 기기를 설정하거나 부속품을 교체하기 전, 그리고 청소기 사용 후 보관할 시에는 소켓에서 플러그를 뽑으십시오. 이는 청소기가 불필요하게 작동되거나 제품이 고장나는 것을 방지합니다.

### 흡입 액세서리 조립하기(그림 A 참고)

흡입 호스 (17) 는 클립 시스템이 장착되어 있어서 흡입 액세서리(공구 연동 어댑터 (18), 곡선형 노즐 (19))에 연결할 수 있습니다.

### 노즐 및 관 장착하기

- 곡선형 노즐 (19) 을 흡입 호스 (17) 에 끼울 때, 흡입 호스의 양쪽 누름 버튼 (24) 이 맞물려 고정되는 소리가 들려야 합니다.
- 그리고 나서 적합한 흡입 부품(큰 입자 오염물 노즐, 틸트 노즐, 흡입관 등)을 곡선형 노즐 (19) 에 끼우십시오.



- 분리할 때는 누름 버튼 (24) 을 안쪽으로 눌러 부품들을 분리합니다.

#### 흡입 어댑터 조립하기

- 공구 연동 어댑터 (18) 를 흡기 호스 (17) 에 끼울 때, 흡기 호스의 양쪽 누름 버튼 (24) 이 맞물려 고정되는 소리가 들려야 합니다.
- 분리할 때는 누름 버튼 (24) 을 안쪽으로 눌러 부품들을 분리합니다.

#### 흡입 호스 홀더 조립하기(그림 B 참조)

- 흡입 호스 (17) 홀더 (14) 를 해당 리테이너 (25) 로 밀어 넣어 맞물리게 하십시오.

#### 흡입 호스 조립하기(그림 C 참조)

- 흡입 호스 (17) 를 흡입 호스 리테이너 (2) 에 끼우십시오.

**지침:** 흡입 시 흡입 호스와 흡입 액세서리 안의 먼지 마찰로 인해 정전기가 발생하는데, 작업자는 이에 유의해서 사용해야 합니다.(환경적 영향과 신체 감각에 따라 달라짐).

보쉬는 일반적으로 미세 먼지와 건조 물질의 흡입 시 경전방지용 흡입 호스(별매 액세서리)를 사용할 것을 권장합니다.

#### 폐기물 봉투 또는 먼지봉투 끼우기/빼내기(건식 흡입)(그림 D1-D2 참조)

건식 흡입을 할 때는 폐기물 봉투 (20) 또는 먼지봉투를 용기 (1) 에 넣을 수 있습니다. 이 방법을 사용하면 먼지 처리가 수월해집니다.

##### 폐기물 봉투 끼우기

- 잠금쇠 (7) 를 열고 청소기 뚜껑 (6) 을 분리하십시오.
- 폐기물 봉투 (20) 를 주입구가 앞쪽을 향하게 하여 용기 (1) 에 끼웁니다.
- 연결 플랜지가 깊숙히 들어갈 때까지 주입구를 연결 플랜지 위쪽으로 당기십시오.
- 폐기물 봉투 (20) 가 용기 (1) 의 안쪽 벽에 완전히 밀착되도록 하십시오.
- 폐기물 봉투 (20) 의 나머지 부분을 용기 (1) 의 가장자리 위에서 가볍게 두드려 넣습니다.
- 청소기 뚜껑 (6) 을 끼운 후 잠금쇠 (7) 를 닫으십시오.

##### 폐기물 봉투를 빼내어 밀봉하기

- 잠금쇠 (7) 를 열고 청소기 뚜껑 (6) 을 분리하십시오.
- 꼭 찬 폐기물 봉투 (20) 를 연결 플랜지에서 뒤쪽으로 빼내십시오.
- 폐기물 봉투 (20) 가 손상되지 않도록 조심스럽게 용기 (1) 밖으로 빼냅니다.
- 폐기물 봉투가 연결 플랜지나 다른 날카로운 대상에 긁히지 않도록 주의하십시오.
- 폐기물 봉투 (20) 를 주입구 아래쪽에서 고정시키십시오.

#### 먼지봉투 교체하기/끼우기(액세서리)

- 잠금쇠 (7) 를 열고 청소기 뚜껑 (6) 을 분리하십시오.
- 꼭 찬 먼지봉투를 연결 플랜지에서 뒤쪽으로 빼내십시오. 뚜껑을 젖혀 먼지봉투의 구멍을 막으십시오. 용기 (1) 에서 밀봉된 먼지봉투를 분리하십시오.
- 진공청소기의 연결 플랜지 위에 새 먼지봉투를 끼웁니다. 먼지봉투의 전체 길이가 용기 (1) 의 안쪽 벽에 밀착되도록 하십시오.
- 청소기 뚜껑 (6) 을 끼운 후 잠금쇠 (7) 를 닫으십시오.

## 작동

- ▶ **진공청소기를 유지보수하거나 세척하기 전, 기기를 설정하거나 부속품을 교체하기 전, 그리고 청소기 사용 후 보관할 시에는 소켓에서 플러그를 뽑으십시오.** 이는 청소기가 불필요하게 작동되거나 제품이 고장나는 것을 방지합니다.

청소기 작동 시 청소기가 돌발적으로 굴러가는 일이 없도록 바퀴 (9) 가 바퀴 브레이크 (10) 로 블로킹 되어 있는지 확인하십시오. 작동하기 전에 작동 휠 (8) 및 바퀴 (9) 가 각 모재에서 잘 굴러가는지 테스트해 보십시오.

## 기계 시동

- ▶ **전원 전압에 유의하십시오!** 전원의 전압은 진공청소기의 형식라벨에 있는 표시와 일치해야 합니다. 230 V로 표시된 진공청소기는 220 V에서도 작동이 가능합니다.
- ▶ **유해먼지 관리에 관한 국가 규정이나 법규를 참고하십시오.**

진공청소기는 다음과 같은 소재를 흡인 및 배출하는 용도에만 사용할 수 있습니다:

- 노출 한계값 > 1 mg/m<sup>3</sup>의 분진
- 진공청소기를 폭발 위험이 있는 곳에서 사용해서는 안 됩니다.
- 흡입력을 최적화하려면 흡입 호스 (17) 이 항상 진공청소기 뚜껑 (6) 에서 완전히 풀려 있어야 합니다.

## 건식 흡입

### 쌓인 먼지 흡입하기

- 진공청소기를 **켜려면** 전원 버튼 (4) 을 짧게 누릅니다.
- 진공청소기를 **끄려면** 다시 전원 버튼 (4) 을 누릅니다.

### 작동하는 전동공구에서 발생하는 먼지 흡입하기(그림 E 참조)

- ▶ **배기 공기가 다시 공간 안으로 들어갈 경우 공간 내에 공기 교환 비율(L)이 충분히 높아야 합니다. 당국의 해당 규정에 유의하십시오.**

청소기 안에는 보호접지 소켓 (3) 이 내장되어 있습니다. 이 소켓에 외부 전동공구를 연결할 수 있습니다.

다. 연결하는 전동공구의 최대 허용 전력을 확인하십시오.

- 공구 연동 어댑터 (18) 를 장착하십시오 (참조 „흡입 어댑터 조립하기“, 페이지 25).
- 공구 연동 어댑터 (18) 를 전동공구의 흡입 연결 부위에 끼우십시오.

**지침:** 흡입 호스로의 공기 공급이 미미한 전동공구로 작업할 경우(예: 실톱, 연마기 등), 흡입 호스 (18) 의 공기 통풍구 (26) 가 열려 있어야 합니다. 이렇게 해야만 반자동 필터 청소 기능(SFC)이 문제 없이 작동할 수 있습니다. 구멍이 최대로 커질 때까지 공기 통풍구 (26) 위의 링을 돌려주십시오.

- 청소기의 시작/멈춤 자동 기능을 작동하려면 전원 버튼 (4) 을 짧게 누르십시오.
- 청소기를 작동하려면 소켓 (3) 에 연결된 전동공구의 전원을 켜십시오. 청소기가 자동으로 작동되기 시작합니다.
- 흡입을 종료하려면 전동공구의 전원을 끄십시오. 시작/멈춤 자동 기능의 런은 흡입 호스에서 나머지 먼지들을 빼내기 위해 최대 15초까지 작동됩니다.
- 청소기의 전원을 끄려면 전원 버튼 (4) 을 누르십시오.

### 습식 흡입

- ▶ 진공청소기를 통해 가솔린, 오일, 알코올, 용매 등 가연성 혹은 폭발성 액체를 흡입해서는 안 됩니다. 고온의 발화된 분진 혹은 폭발성 분진을 흡입해서도 안 됩니다. 진공청소기를 폭발 위험이 있는 환경에서 작동하지 마십시오. 분진, 증기 및 액체로 인해 화재가 발생하거나 폭발할 수 있습니다.
- ▶ 진공청소기를 워터 펌프 용도로 사용해서는 안 됩니다. 진공청소기는 공기 및 물 혼합물을 흡입하는 용도로 설계되었습니다.

### 습식 흡입을 하기 전 작업 단계

- 잠금쇠 (7) 를 열고 청소기 뚜껑 (6) 을 분리하십시오.
- 필요에 따라 폐기물 봉투 (20) 또는 먼지봉투를 제거하십시오.
- 필요에 따라 용기 (1) 를 비우십시오.
- 청소기 뚜껑 (6) 을 끼운 후 잠금쇠 (7) 를 닫으십시오.

### 액체 흡입

- 청소기의 전원을 켭니다. 청소기에는 플로트가 장착되어 있습니다. 최대 높이까지 채워지면 흡입이 멈춥니다.
- 청소기의 전원을 끕니다.
- 용기 (1) 를 비우십시오.

습식 흡입 후 곰팡이가 발생 방지를 위해:

- 청소기 뚜껑 (6) 을 떼어내고 주름 필터 (28) 를 분리한 후 두 부품을 잘 건조시키십시오.

### 반자동 필터 청소 기능(그림 F 참조)

흡입 성능이 충분하지 않게 되면 필터 청소 기능을 작동해야 합니다.

필터 청소의 빈도는 분진 종류와 분량에 따라 좌우됩니다. 정기적으로 사용하면 최대 흡입 성능이 오래 유지됩니다.

반자동 필터 청소 기능(SFC)이 작동되면 공기 흐름의 방향전환을 통해서 필터 판의 쌓인 먼지가 청소됩니다.

필터의 표면에만 오염물질이 묻어 있는 경우 작동에는 아무런 이상이 없습니다. 먼지를 털어내거나 공기를 불어 넣어 수동으로 필터를 청소할 필요는 없으며 수동으로 필터를 청소할 경우 필터가 손상될 수 있습니다.

### SFC 필터 청소 기능 작동

- 손바닥으로 노출 또는 흡입 호스 구멍을 가리십시오.
- SFC 스위치 (11) 를 3회 누르십시오.

## 보수 정비 및 서비스

### 보수 정비 및 유지

- ▶ 진공청소기를 유지보수하거나 세척하기 전, 기기를 설정하거나 부속품을 교체하기 전, 그리고 청소기 사용 후 보관할 시에는 소켓에서 플러그를 뽑으십시오. 이는 청소기가 불필요하게 작동되거나 제품이 고장나는 것을 방지합니다.
- ▶ 안전하고 올바른 작업을 위하여 진공청소기와 그 환기구를 항상 깨끗이 유지하십시오.
- ▶ 진공청소기 손질 및 청소 시 먼지방지 마스크를 착용하십시오.

연결 코드를 교환해야 할 경우 안전을 기하기 위해 Bosch 또는 Bosch 지정 전동공구 서비스 센터에 맡겨야 합니다.

작업자나 다른 사람들에게 위험하지 않은 범위에서, 사용자가 청소기를 분해하여 닦고 보수 정비해야 합니다. 청소기를 분해하기 전에 만일의 위험을 예방하기 위해 깨끗이 닦아 주십시오. 청소기를 분해하는 공간이 환기가 잘 되도록 해야 합니다. 보수 정비 작업 시 개인 안전복장을 착용하십시오. 보수 정비 후에 작업장을 깨끗이 청소해야 합니다.

제조사나 교육받은 직원이 필터 손상 여부, 청소기 밀폐성 및 제어장치 기능 등 분진기술적인 검사를 최소한 매년 1회 실시해야 합니다.

주변이 더러운 곳에 있었던 L 등급의 청소기의 경우, 외부 및 모든 장치 부품을 청소하거나 싼링제를 바르십시오. 유지보수 작업 및 수리 작업을 진행할 때 충분히 세척되지 않은 모든 더러운 부품은 폐기해야 합니다. 이러한 부품은 해당 유형의 폐기물 제거에 맞는 유효한 규정에 맞춰 비투과성 주머니에 폐기해야 합니다.

- 가끔씩 젖은 천으로 청소기 케이스를 닦아줍니다.

**용기 청소하기**



- 가품씩 시중에 나와 있는 순한 세정제를 이용해 용기 (1) 를 닦아준 후 잘 말려주십시오.

**필터 청소하기**

먼지통을 주기적으로 비워주고 필터를 청소해야 최적의 흡입 성능이 보장됩니다. 그래도 흡입 성능이 개선되지 않으면 진공청소기를 고객 서비스 센터에 보내야 합니다.

**필터 분리하기/교체하기(그림 G1-G2 참조)**

손상된 주름 필터는 즉시 교체하십시오.

- 잠금쇠 (7) 를 열고 청소기 뚜껑 (6) 을 분리하십시오.
- 필터 홀더 (27) 를 회전방향  으로 끝까지 돌린 후 주름 필터 (28) 와 함께 필터 홀더를 청소기 뚜껑 (6) 에서 분리하십시오.
- 오염된/손상된 주름 필터 (28) 를 필터 홀더 (27) 에서 빼내십시오.
- 주름 필터 (28) 의 다판을 부드러운 솔로 털어주십시오.  
또는  
손상된 주름 필터 (28) 를 교체하십시오.
- 필터 홀더 (27) 를 청소를 마친/새 주름 필터 (28) 에 끼우십시오.
- 필터 홀더 (27) 를 주름 필터 (28) 와 함께 청소기 뚜껑에 끼우고, 필터 홀더 (27) 를 회전방향  으로 끝까지 돌리십시오.
- 청소기 뚜껑 (6) 을 끼운 후 잠금쇠 (7) 를 닫으십시오.

**플로트 청소하기(그림 H 참조)**

플로트 (29) 는 가품씩 청소해 주십시오.

**문제 해결**

- ▶ 문제(예: 필터 파손)가 발생한 경우, 즉시 진공청소기의 전원을 꺼야 합니다. 청소기를 다시 가동하기 전에 문제를 해결해야 합니다.

문제	해결 방법
흡입 터빈이 작동하지 않음.	- 전원 케이블, 전원 플러그, 퓨즈, 소켓 및 플로트 (29) 를 점검하십시오. - 전원 버튼 (4) 을 짧게 누르거나 소켓에 연결된 전동공구 (3) 의 전원을 켜십시오.
흡입 터빈 꺼짐.	- 용기 (1) 를 비우십시오.
흡입 터빈이 용기를 비운 후에 다시 작동하지 않음.	- 청소기의 전원을 끄고 5초간 기다렸다가 5초 후에 다시 켜십시오. - 플로트 (29) 를 청소하십시오.
흡입력 약화됨.	- 흡입 노즐, 흡입관 (21), 흡입 호스 (17) 또는 주름 필터 (28) 의 장애물을 제거하십시오. - 폐기물 봉투 (20) 또는 먼지봉투를 교체하십시오. - 청소기 뚜껑 (6) 을 제대로 설치하고 뚜껑 (7) 을 닫으십시오. - 주름 필터 (28) 를 교체하십시오.
흡입 시 먼지 새어 나옴	- 주름 필터 (28) 가 제대로 장착되었는지 점검하십시오. - 주름 필터 (28) 를 교체하십시오.

- 잠금쇠 (7) 를 열고 청소기 뚜껑 (6) 을 분리하십시오.
- 필터 홀더 (27) 를 주름 필터 (28) 와 함께 청소기 뚜껑 (6) 에서 분리하십시오.
- 주름 필터 (28) 를 필터 홀더 (27) 에서 빼내십시오.
- 플로트 (29) 는 물로 닦아주십시오.
- 필터 홀더 (27) 를 주름 필터 (28) 와 함께 다시 청소기 뚜껑 (6) 에 끼우십시오.
- 청소기 뚜껑 (6) 을 끼운 후 잠금쇠 (7) 를 닫으십시오.

**보관 및 운반(그림 I 참조)**

- 용기 (1) 를 비우고 청소하십시오. 곰팡기가 생기지 않도록 주름 필터 (28) 및 청소기의 내부 영역을 건조한 상태로 유지하십시오.
- 전원 케이블을 케이블 홀더 (13) 에 감으십시오.
- 액세서리를 해당 홀더 위치에 끼우십시오: 공구 연동 어댑터 (18) 를 홀더 (12) 에, 틸트 노즐 (23) 을 홀더 (15) 에, 큰 입자 오염물 노즐 (22) 을 홀더 (16) 에 끼우십시오.
- 흡입 호스 (17) 를 청소기 뚜껑 들레에 놓고 홀더 (14) 에 거십시오.
- 운반용 손잡이 (5) 를 사용하여 청소기를 운반하십시오.
- 건조한 공간에 청소기를 보관하고 함부로 사용하는 일이 없도록 조치하십시오.
- 바퀴 (9) 를 고정하려면 바퀴 브레이크 (10) 를 아래로 밟으십시오.

## 문제

## 해결 방법

자동 꺼짐 기능(습식 흡입)이 응  
답하지 않음.

- 플로트 (29) 를 청소하십시오.

전기 전도가 안되는 액체 또는 거품형성 시 자동 꺼짐 기능이 작동하지  
않음.

- 채워진 상태를 지속적으로 점검하십시오.

## AS 센터 및 사용 문의

AS 센터에서는 귀하 제품의 수리 및 보수정비, 그리고 부품에 관한 문의를 받고 있습니다. 대체 부품에 관한 분해 조립도 및 정보는 인터넷에서도 찾아 볼 수 있습니다 - [www.bosch-pt.com](http://www.bosch-pt.com)

보쉬 사용 문의의 팁에서는 보쉬의 제품 및 해당 액세서리에 관한 질문에 기꺼이 답변 드릴 것입니다.

문의나 대체 부품 주문 시에는 반드시 제품 네임 플레이트에 있는 10자리의 부품번호를 알려 주십시오.

콜센터

080-955-0909

다른 AS 센터 주소는 아래 사이트에서 확인할 수 있습니다:

[www.bosch-pt.com/serviceaddresses](http://www.bosch-pt.com/serviceaddresses)

## 처리

진공청소기와 액세서리 및 포장 등은 친환경적인 방법으로 재활용할 수 있도록 분류하십시오.

진공청소기를 가정용 쓰레기로 처리하지 마십시오!



## ไทย

## คำเตือนเพื่อความปลอดภัย

## คำเตือนเพื่อความปลอดภัยสำหรับเครื่องดูดฝุ่น



อ่านคำเตือนเพื่อความปลอดภัยและคำแนะนำทั้งหมด การไม่ปฏิบัติตามคำเตือนและคำสั่งอาจเป็นสาเหตุให้ถูกไฟฟ้าดูด เกิดไฟไหม้ และ/หรือได้รับบาดเจ็บอย่างร้ายแรง

เก็บรักษาคำเตือนเพื่อความปลอดภัยและคำสั่งทั้งหมดสำหรับเปิดอ่านในภายหลัง

► เครื่องดูดฝุ่นนี้ไม่ได้มีไว้เพื่อการใช้งานโดยเด็กและบุคคลที่มีความบกพร่องทางกายภาพ ทางประสาท

สัมผัส หรือทางจิตใจ หรือบุคคลที่ขาดประสบการณ์และความรู้ มิฉะนั้นจะมีอันตรายจากความผิดพลาดในการปฏิบัติงานและได้รับบาดเจ็บ

► **ควบคุมดูแลเด็กฯ** ทั้งนี้เพื่อให้อุ่นใจได้ว่าเด็กฯ จะไม่เล่นเครื่องดูดฝุ่น

► **อย่าดูดฝุ่นจากไม้ขีดหรือไม้ไผ่ ฝุ่นหิน หรือแร่ใยหิน** อย่างเด็ดขาด วัสดุเหล่านี้ถือเป็นสารก่อมะเร็ง

⚠ **คำเตือน** ใช้เครื่องดูดฝุ่นเมื่อท่านได้รับข้อมูลที่เพียงพอสำหรับการใช้งานเครื่อง

ดูดฝุ่น วัสดุที่จะดูด และการกำจัดฝุ่นวัสดุอย่างปลอดภัยแล้วเท่านั้น การชี้แนะอย่างละเอียดถี่ถ้วนจะลดความผิดพลาดในการปฏิบัติงานและการบาดเจ็บ

⚠ **คำเตือน** เครื่องดูดฝุ่นเหมาะสำหรับดูดวัสดุแห้ง และเมื่อใช้มาตรการที่เหมาะสม ก็สามารถดูดของเหลวได้เช่นกัน หากของเหลวเข้าไปในมอเตอร์ จะเพิ่มความเสี่ยงต่อการถูกไฟฟ้าดูด

► **อย่าใช้เครื่องดูดฝุ่นเพื่อ** ดูดของเหลวที่ไวไฟหรือระเบิดได้ ตัวอย่าง เช่น เบนซิน น้ำมัน แอลกอฮอล์ ตัวทำละลาย อย่าดูดฝุ่นที่ร้อน ลูกใหม่ หรือระเบิดได้ อย่าใช้เครื่องดูดฝุ่นทำงานในบริเวณที่อาจเกิดระเบิดได้ ฝุ่น โขระเหย หรือของเหลวอาจลุกเป็นไฟหรือระเบิดได้

⚠ **คำเตือน** ใช้เต้าเสียบเฉพาะเพื่อวัตถุประสงค์ที่ระบุไว้ในคู่มือการใช้งานเท่านั้น

⚠ **คำเตือน** บิดสวิตช์เครื่องดูดฝุ่นในทันทีที่มีฟองหรือน้ำไหลออกมา และให้ถ่วงลงบรรจุ มิฉะนั้นเครื่องดูดฝุ่นอาจชำรุดได้

► **โปรดระวัง!** ใช้เครื่องดูดฝุ่นและเก็บรักษาไว้เฉพาะภายในอาคารเท่านั้น การชี้ผ่านของน้ำฝนและความชื้นเข้าไปในถ່วนบนของเครื่องดูดฝุ่นจะเพิ่มความเสี่ยงต่อการถูกไฟฟ้าดูด

► **โปรดระวัง!** ทำความสะอาดลูกกลิ้งอย่างสม่ำเสมอและตรวจหาความเสียหาย มิฉะนั้นอาจส่งผลกระทบต่อการทำงานได้

- ▶ หากไม่สามารถหลีกเลี่ยงการใช้งานเครื่องดูดฝุ่นในสภาพแวดล้อมที่เปียกชื้น ให้ใช้อุปกรณ์ตัดวงจรกระแสเหลือ การใช้อุปกรณ์ตัดวงจรกระแสเหลือจะลดความเสี่ยงต่อการถูกไฟฟ้าดูด
- ▶ ตรวจสอบเครื่องดูดฝุ่น สายไฟฟ้า และปลั๊กไฟฟ้า ทุกครั้งก่อนการใช้งาน อย่าใช้เครื่องดูดฝุ่นเมื่อตรวจพบความเสียหาย อย่าเปิดเครื่องดูดฝุ่นด้วยตัวท่านเอง และส่งเครื่องเข้ารับบริการซ่อมแซมโดยช่างผู้เชี่ยวชาญ และใช้อะไหล่เปลี่ยนของแท้เท่านั้น เครื่องดูดฝุ่น สายไฟฟ้า และปลั๊กไฟฟ้าที่เสียหายจะเพิ่มความเสี่ยงต่อการถูกไฟฟ้าดูด
- ▶ อย่าเคลื่อนทับหรือบีบอัดสายไฟฟ้า อย่างดิ่งที่สายไฟฟ้าเพื่อถอดปลั๊กไฟฟ้าออกจากเต้าเสียบหรือเพื่อเลื่อนเครื่องดูดฝุ่น สายไฟฟ้าที่ชำรุดจะเพิ่มความเสี่ยงต่อการถูกไฟฟ้าดูด
- ▶ ถอดปลั๊กไฟฟ้าออกจากเต้าเสียบก่อนบำรุงรักษาหรือทำความสะอาดเครื่องดูดฝุ่น ทำการปรับแต่งใดๆ ที่เครื่อง เปลี่ยนอุปกรณ์ประกอบ หรือเก็บเครื่องดูดฝุ่นเข้าที่ มาตรการเพื่อความปลอดภัยนี้จะป้องกันไม่ให้เครื่องดูดฝุ่นติดชิ้นโดยไม่ตั้งใจ
- ▶ จัดสถานที่ทำงานให้มีอากาศถ่ายเทที่ดี
- ▶ ส่งเครื่องดูดฝุ่นเข้ารับบริการซ่อมแซมโดยช่างผู้เชี่ยวชาญและใช้อะไหล่เปลี่ยนของแท้เท่านั้น ในลักษณะนี้ท่านจะแน่ใจได้ว่าเครื่องดูดฝุ่นอยู่ในสภาพที่ปลอดภัย

**คำเตือน** เครื่องดูดฝุ่นบรรจุฝุ่นที่เป็นอันตรายต่อสุขภาพ ให้ผู้เชี่ยวชาญทำการ ถ้างม และบำรุงรักษา รวมทั้งกำจัดถังเก็บฝุ่นเท่านั้น จำเป็นต้องใช้อุปกรณ์ป้องกันที่เหมาะสม อย่าใช้งานเครื่องดูดฝุ่นโดยไม่มีระบบกรองที่ครบถ้วนและสมบูรณ์ มิฉะนั้นจะเกิดอันตรายต่อสุขภาพของท่าน

- ▶ ก่อนเริ่มต้นทำงาน ให้ตรวจสอบว่าท่อดูดมีสภาพที่สมบูรณ์หรือไม่ สำหรับการตรวจสอบ ให้ปล่อยท่อดูดไว้บนเครื่องดูดฝุ่น ทั้งนี้เพื่อป้องกันไม่ให้ฝุ่นพุ่งออกมาโดยไม่ตั้งใจ มิฉะนั้นท่านอาจสูดดมฝุ่นเข้าไป
- ▶ อย่าใช้เครื่องดูดฝุ่นเป็นที่นั่ง เครื่องดูดฝุ่นอาจเสียหายได้
- ▶ ใช้สายไฟฟ้าและท่อดูดอย่างระมัดระวัง ท่านอาจทำให้อุปกรณ์ได้รับอันตราย
- ▶ อย่าทำความสะอาดเครื่องดูดฝุ่นโดยฉีดพ่นน้ำไปที่เครื่องโดยตรง การฉีดพ่นของน้ำเข้าไปในส่วนบนของเครื่องดูดฝุ่นจะเพิ่มความเสี่ยงต่อการถูกไฟฟ้าดูด
- ▶ เชื่อมต่อเครื่องดูดฝุ่นเข้ากับแหล่งจ่ายไฟที่ต่อสายดินอย่างถูกต้อง เต้าเสียบและสายไฟต้องพ่วงต้องมีสายดินป้องกันที่พร้อมใช้งาน

## สัญลักษณ์

สัญลักษณ์ต่อไปนี้มีความสำคัญต่อการใช้งานเครื่องดูดฝุ่นของท่าน กรุณาจดจำสัญลักษณ์และความหมาย การแปลความหมายสัญลักษณ์อย่างถูกต้อง จะช่วยให้ท่านสามารถใช้เครื่องดูดฝุ่นได้อย่างปลอดภัยและดียิ่งขึ้น

### สัญลักษณ์และความหมายของสัญลักษณ์



**คำเตือน! อ่านคำเตือนเพื่อความปลอดภัยและคำแนะนำทั้งหมด** การไม่ปฏิบัติตามคำเตือนเพื่อความปลอดภัยและคำสั่งอาจเป็นสาเหตุให้ถูกไฟฟ้าดูด เกิดไฟไหม้ และ/หรือได้รับบาดเจ็บอย่างร้ายแรง



เครื่องดูดฝุ่นของฝุ่นประเภท L ตามมาตรฐาน IEC/EN 60335-2-69 สำหรับดูดฝุ่นแห้งที่เป็นอันตรายต่อสุขภาพที่มีค่าขีดจำกัดการรับสัมผัส > 1 mg/m<sup>3</sup>



**คำเตือน! เครื่องดูดฝุ่นบรรจุฝุ่นที่เป็นอันตรายต่อสุขภาพ ให้ผู้เชี่ยวชาญทำการ ถ้างม และบำรุงรักษา รวมทั้งกำจัดถังเก็บฝุ่นเท่านั้น จำเป็นต้องใช้อุปกรณ์ป้องกันที่เหมาะสม อย่าใช้งานเครื่องดูดฝุ่นโดยไม่มีระบบกรองที่ครบถ้วนและสมบูรณ์ มิฉะนั้นจะเกิดอันตรายต่อสุขภาพของท่าน**

## รายละเอียดผลิตภัณฑ์และข้อมูล

### จำเพาะ



**อ่านคำเตือนเพื่อความปลอดภัยและคำแนะนำทั้งหมด** การไม่ปฏิบัติตามคำเตือนและคำสั่งอาจเป็น

สาเหตุให้ถูกไฟฟ้าดูด เกิดไฟไหม้ และ/หรือได้รับบาดเจ็บอย่างร้ายแรง

กรุณาดูภาพประกอบในส่วนหน้าของคู่มือการใช้งาน

### ประโยชน์การใช้งานของเครื่อง

เครื่องดูดฝุ่นนี้ใช้สำหรับเก็บ ดูด ล้างเสียง และแยกฝุ่นแห้งไม่ไวไฟ ของเหลวไม่ไวไฟ และส่วนผสมของน้ำและลม เครื่องดูดฝุ่นนี้ผ่านการทดสอบทางเทคนิคเกี่ยวกับฝุ่นและสอดคล้องกับฝุ่นประเภท L เครื่องดูดฝุ่นนี้เหมาะสำหรับ

การใช้งานเชิงพาณิชย์ที่มีปริมาณงานเพิ่มขึ้น เช่น ในงานช่างฝีมือ อุตสาหกรรม และโรงซ่อมสร้าง

ตามมาตรฐาน IEC/EN 60335-2-69 เครื่องดูดฝุ่นของฝุ่นประเภท L สามารถใช้เฉพาะสำหรับดูดออกและดูดฝุ่นที่เป็นอันตรายต่อสุขภาพที่มีค่าขีดจำกัดการรับสัมผัส > 1 mg/m<sup>3</sup> เท่านั้น

ใช้เครื่องดูดฝุ่นเมื่อท่านเข้าใจฟังก์ชันทั้งหมดอย่างครบถ้วนแล้วเท่านั้น และสามารถปฏิบัติงานได้อย่างไม่มีข้อจำกัด หรือเมื่อได้รับคำแนะนำที่เหมาะสม

### ส่วนประกอบที่แสดงภาพ

ลำดับเลขของส่วนประกอบผลิตภัณฑ์อ้างอิงถึงส่วนประกอบของเครื่องดูดที่แสดงในหน้าภาพประกอบ

- (1) ถังบรรจุ
- (2) ส่วนเชื่อมต่อท่อ
- (3) เต้าเสียบสำหรับเครื่องมือไฟฟ้า
- (4) ปุ่มเปิด-ปิด
- (5) ตามถือ
- (6) ส่วนบนของเครื่องดูดฝุ่น
- (7) ขอยึดสำหรับส่วนบนของเครื่องดูดฝุ่น
- (8) ล้อหลัง
- (9) ล้อเลื่อน
- (10) เมรกล้อเลื่อน
- (11) สวิทช์ SFC
- (12) ตัวยึดสำหรับข้อต่อท่อดูดออก
- (13) ที่ม้วนเก็บสายไฟฟ้า
- (14) ที่ยึดท่อดูด
- (15) ตัวยึดสำหรับหัวดูดขอกมม/หัวดูดโค้ง
- (16) ตัวยึดสำหรับหัวดูดฝุ่นหยาบ
- (17) ท่อดูด
- (18) ข้อต่อท่อดูดออก
- (19) หัวดูดโค้ง
- (20) ถังกำจัดทิ้ง
- (21) ท่อดูดแข็ง
- (22) หัวดูดฝุ่นหยาบ
- (23) หัวดูดสำหรับขอกมม
- (24) ปุ่มกด
- (25) แท่นเก็บสำหรับที่ยึดท่อดูด
- (26) ช่องจ่ายอากาศ
- (27) ที่ยึดตัวกรอง

(28) ตัวกรองแบบจับ

(29) ลูกลอย

### ข้อมูลทางเทคนิค

เครื่องดูดฝุ่นแท่ง/เปียก	GAS 15 L SFC	
หมายเลขสินค้า		<b>3 601 J7B 0..</b>
แรงดันไฟฟ้าพิกัด	โวลท์	220-240
กำลังไฟฟ้าพิกัดด้านเข้า	วัตต์	1200
ความถี่	เฮิรตซ์	50-60
ปริมาตรถังบรรจุ (รวมทั้งหมัด/ลูทริ)	ลิตร	19/15
ปริมาตรลูทริ (ของเหลว)	ลิตร	11.5
ปริมาตรถุงเก็บผง	ลิตร	7.5
แรงดูดสูงสุด <sup>A)</sup>		
- เครื่องดูดฝุ่น	hPa	202
- เทอร์โบ	hPa	215
อัตราการไหลสูงสุด <sup>A)</sup>		
- เครื่องดูดฝุ่น	ลิตร/ วินาที	50
	m <sup>3</sup> /s	0.05
- เทอร์โบ	ลิตร/ วินาที	62
	m <sup>3</sup> /s	0.062
กำลังการดูดสูงสุด	วัตต์	245
พื้นผิวตัวกรองแบบจับ	m <sup>2</sup>	0.28
ฝุ่นประเภท		L
น้ำหนักตามระเบียบการ EPTA-Procedure 01:2014	กก.	6.4
ระดับความปลอดภัย		⊕/I
ระดับการคุ้มกัน		IPx4

A) วัดด้วยท่อดูด Ø 35 มม. และความยาว 3 ม.

ค่าที่ให้ไว้ใช้ได้กับแรงดันไฟฟ้าบ้านมินิมอล [U] 230 โวลท์ค่าเหล่านี้ อาจเปลี่ยนแปลงไปสำหรับแรงดันไฟฟ้าที่แตกต่างกัน และโมเดลที่ผลิตสำหรับเฉพาะประเทศ

Start/Stop อัปเดตใหม่ <sup>A)</sup>			
	แรงดันไฟฟ้า พิกัด	กำลังไฟฟ้า สูงสุด	กำลังไฟฟ้า ต่ำ สุด
CN	220– 230 โวลต์	2000 วัตต์	100 วัตต์
KO	220– 230 โวลต์	2000 วัตต์	100 วัตต์
TH	220– 230 โวลต์	2000 วัตต์	100 วัตต์
ID	220– 230 โวลต์	2000 วัตต์	100 วัตต์
VI	220– 230 โวลต์	2000 วัตต์	100 วัตต์
ID	220– 230 โวลต์	2000 วัตต์	100 วัตต์

A) ข้อมูลจำเพาะของภาระต่อเชื่อมที่อนุญาตของเครื่องมือไฟฟ้าที่เชื่อมต่อ (เฉพาะประเทศ)

## การติดตั้ง

- ▶ ถอดปลั๊กไฟพ่วงออกจากเต้าเสียบก่อนบำรุงรักษาหรือทำความสะอาดเครื่องดูดฝุ่น ทำการปรับแต่งใดๆ ที่เครื่อง เปลี่ยนอุปกรณ์ประกอบ หรือเก็บเครื่องดูดฝุ่นเข้าที่ มาตรการเพื่อความปลอดภัยนี้จะป้องกันไม่ให้เครื่องดูดฝุ่นติดขึ้นโดยไม่ตั้งใจ

### การติดตั้งอุปกรณ์ดูด (รูปภาพประกอบ A)

ท่อดูด (17) มีระบบคลิปที่สามารถเชื่อมต่อกับอุปกรณ์ดูดได้ (ข้อต่อดูด (18) หัวดูดโค้ง (19))

#### การติดตั้งหัวดูดและท่อดูดแข็ง

- เสียบหัวดูดโค้ง (19) เข้าบนท่อดูด (17) จนได้ยินเสียงปุ่มกดทั้งสอง (24) ของท่อดูดขบเขาล็อค
- จากนั้นจึงเสียบอุปกรณ์ดูดที่ต้องการ (หัวดูดฝุ่นหยาม หัวดูดสำหรับชอกกมม ท่อดูดแข็ง ฯลฯ) เข้าบนหัวดูดโค้ง (19) ให้แน่น
- เมื่อต้องการถอดออก ให้กดปุ่มกด (24) เข้านั้นในและดึงขึ้นส่วนออกจากกัน

#### การประกอบข้อต่อท่อดูดออก

- เสียบข้อต่อดูด (18) เข้าบนท่อดูด (17) จนได้ยินเสียงปุ่มกดทั้งสอง (24) ของท่อดูดขบเขาล็อค
- เมื่อต้องการถอดออก ให้กดปุ่มกด (24) เข้านั้นในและดึงขึ้นส่วนออกจากกัน

### ติดตั้งตัวยึดสำหรับท่อดูด (รูปภาพประกอบ B)

- ดันตัวยึด(14) สำหรับท่อดูด (17) เข้าไปในตัวยึดที่มีอยู่ (25) จนกระทั่งคลิกเข้าที่

### การติดตั้งติดท่อดูด (รูปภาพประกอบ C)

- เสียบท่อดูด (17) เข้าบนท่อดูดให้แน่น (2)
- หมายเหตุ:** ในขณะที่ดูดฝุ่นจะมีไฟฟ้าสถิตในท่อดูดและอุปกรณ์ประกอบซึ่งเกิดจากการเสียดสีของฝุ่นละออง และผู้ใช้งานสามารถรู้สึกได้ในรูปแบบของการถ่ายเทประจุไฟฟ้าสถิต (ขึ้นอยู่กับสภาพแวดล้อมและการรับรูทางกายภาพ) เมื่อดูดฝุ่นละเอียดและวัสดุแห้ง โดยปกติ บ่อข เน้นนำให้ใช้ท่อดูดป้องกันไฟฟ้าสถิต (อุปกรณ์ประกอบ)

### การใส่/การถอดลูกกำจัดทิ้งหรือถุงเก็บผง (การดูดแห้ง) (รูปภาพประกอบ D1–D2)

สำหรับการดูดฝุ่นแห้งท่านสามารถใส่ลูกกำจัดทิ้ง (20) หรือถุงเก็บผง (อุปกรณ์ประกอบ) เข้าในถังบรรจุ (1) ซึ่งช่วยให้การกำจัดฝุ่นเป็นไปได้ง่าย

#### ใส่ลูกกำจัดทิ้ง

- เปิดชอชิต (7) และถอดส่วนบนของเครื่องดูดฝุ่น (6) ออก
- วางลูกกำจัดทิ้ง (20) ลงในถังบรรจุ (1) โดยจับช่องเปิดรับฝุ่นหันไปด้านบน
- ดึงช่องเติมบนหน้าแปลนเชื่อมต่อเข้าไปในช่องของหน้าแปลนเชื่อมต่อ
- ตรวจสอบให้แน่ใจว่า ลูกกำจัดทิ้ง (20) ได้วางทาบกับผนังด้านในถังบรรจุ (1) ทั้งหมด
- พับส่วนที่เหลือของถุงลูกกำจัดทิ้ง (20) ไว้เหนือขอบถังบรรจุ (1)
- สวมส่วนบนของเครื่องดูดฝุ่น (6) ลงและปิดชอชิต (7)

#### การถอดและการปิดลูกกำจัดทิ้ง

- เปิดชอชิต (7) และถอดส่วนบนของเครื่องดูดฝุ่น (6) ออก
- ดึงลูกกำจัดทิ้ง (20) ที่เต็มแล้วออกจากขอบเชื่อมต่อไปทางข้างหลัง
- นำลูกกำจัดทิ้ง (20) อย่างระมัดระวังโดยอย่าทำให้ถุงเสียหาย (1) ระมัดระวังอย่าให้ลูกกำจัดทิ้งชุดกับช่องเปิดดูดเข้าหรือวัตถุมีคมอื่นๆ
- ผูกลูกกำจัดทิ้ง (20) ไว้ใต้ชอชิต

#### การเปลี่ยน/การใส่ถุงเก็บผง (อุปกรณ์ประกอบ)

- เปิดชอชิต (7) และถอดส่วนบนของเครื่องดูดฝุ่น (6) ออก
- ดึงถุงเก็บผง ที่เต็มแล้วออกจากขอบเชื่อมต่อไปทางข้างหลัง ปิดช่องถุงเก็บผงโดยพับฝาปิดลงมา นำถุงเก็บผงที่ปิดแล้วออกจากถังบรรจุ (1)
- สวมถุงเก็บผงใบใหม่เข้าบนขอบเชื่อมต่อของเครื่องดูดฝุ่น ตรวจสอบให้แน่ใจว่าถุงเก็บผงได้วางทาบกับผนังด้านในถังบรรจุ (1) ตามความยาวทั้งหมด
- สวมส่วนบนของเครื่องดูดฝุ่น (6) ลงและปิดชอชิต (7)

## การปฏิบัติงาน

- ▶ ถอดปลั๊กไฟพ่วงออกจากเต้าเสียบก่อนบำรุงรักษาหรือทำความสะอาดเครื่องดูดฝุ่น ทำการปรับแต่งใดๆ ที่เครื่อง เปลี่ยนอุปกรณ์ประกอบ หรือเก็บเครื่องดูดฝุ่น

**เข้าที่** มาตรการเพื่อความปลอดภัยนี้จะป้องกันไม่ให้เครื่องดูดฝุ่นติดขึ้นโดยไม่ตั้งใจ

เมื่อใช้งานเครื่องดูดฝุ่น ตรวจสอบให้แน่ใจว่าล้อเลื่อน (9) พรอบรกล้อเลื่อน (10) บิดกันอยู่ เพื่อป้องกันเครื่องดูดฝุ่นไม่ให้เลื่อนไหลโดยไม่ตั้งใจ ทดสอบล้อ (8) และล้อเลื่อน (9) กับพื้นผิวตามลำดับก่อนใช้งาน

### การเริ่มต้นปฏิบัติงาน

▶ **ให้สังเกตแรงดันไฟฟ้า!** แรงดันไฟฟ้าจากแหล่งจ่ายไฟฟ้าต้องมีค่าตรงกับค่าแรงดันไฟฟ้าที่ระบุไว้บนแผ่นป้ายพิกัดของเครื่องดูดฝุ่น ปลั๊กจ่ายไฟที่มีเครื่องหมาย 230 V สามารถใช้งานกับแรงดันไฟฟ้า 220 V ได้ด้วย

▶ **อ่านกฎระเบียบ/กฎหมายเกี่ยวกับการจัดการกับฝุ่นที่เป็นอันตรายต่อสุขภาพที่บังคับใช้ในประเทศของท่านอย่างละเอียด**

เครื่องดูดฝุ่นนี้เหมาะสำหรับดูดและนำเอาวัสดุดังต่อไปนี้:

– ฝุ่นที่มีค่าขีดจำกัดการรับสัมผัส > 1 mg/m<sup>3</sup> โดยหลักการแล้ว ต้องไม่ใช่เครื่องดูดฝุ่นในบริเวณที่อาจเกิดการระเบิดได้

เพื่อให้เครื่องดูดฝุ่นทำงานได้ประสิทธิภาพสูงสุด ต้องคลายท่อดูด (17) ทั้งหมดออกจากส่วนบนของเครื่องดูดฝุ่น (6) เสมอ

### การดูดแห้ง

#### การดูดฝุ่นที่สะสม

- เปิดสวิตช์เครื่องดูดฝุ่นโดยกดปุ่มเปิด-ปิด (4)
- ปิดสวิตช์เครื่องดูดฝุ่นโดยกดปุ่มเปิด-ปิด (4) อีกครั้ง

**การดูดฝุ่นที่เกิดจากการทำงานของเครื่องมือไฟฟ้า (ดูภาพประกอบ E)**

▶ **เมื่อลมที่ปล่อยออกมาหมุนเวียนอยู่ในห้อง ในห้องจึงต้องมีอัตราการระบายอากาศ (L) ที่เพียงพอ ปฏิบัติตามกฎหมายที่เกี่ยวข้องของประเทศ**

ในเครื่องดูดฝุ่นมีเต้าเสียบที่มีสายต่อลงดิน (3) ติดตั้งอยู่ ท่านสามารถเชื่อมต่อเครื่องมือไฟฟ้าจากภายนอกที่จุดนี้ ให้สังเกตป้ายระบับเชื่อมต่อสูงสุดที่อนุญาตของเครื่องมือไฟฟ้าที่เชื่อมต่อ – ติดตั้งข้อต่อดูด (18) (ดู "การประกอบข้อต่อท่อดูดออก", หน้า 31)

– เสียบข้อต่อดูด (18) เข้าในท่อเชื่อมต่อดูดของเครื่องมือไฟฟ้า

**หมายเหตุ:** เมื่อทำงานร่วมกับเครื่องมือไฟฟ้าที่มีการบ่อนอากาศเข้าในท่อน้อย (เช่น เลื่อยจล เครื่องขัด ฯลฯ) ต้องเปิดช่องจ่ายอากาศ (26) ที่ข้อต่อดูด (18) ในลักษณะนี้ ระบบทำความสะอาดตัวกรองกึ่งอัตโนมัติ (SFC) จะสามารถทำงานได้โดยไม่มีปัญหา

หมุนวงแหวนบนช่องจ่ายอากาศ (26) ไปจนได้ช่องเปิดกว้างที่สุด

- สำหรับเริ่มต้นทำงานเครื่องดูดฝุ่น กดปุ่มเปิด-ปิด (4) ไว้ชั่วคราว
- เพื่อให้เครื่องดูดฝุ่นเริ่มต้นทำงาน ให้เปิดสวิตช์เครื่องมือไฟฟ้าที่เชื่อมต่อกับเต้าเสียบ (3) เครื่องดูดฝุ่นจะสตาร์ทโดยอัตโนมัติ
- ปิดสวิตช์เครื่องมือไฟฟ้าเพื่อการดูดฝุ่นจะได้สิ้นสุดลง ฟังก์ชันการหน่วงเวลาของ Start/Stop อัตโนมัติ จะวิ่งต่อไปอีกประมาณ 15 วินาที ทั้งนี้เพื่อดูดฝุ่นที่ตกค้างอยู่ ออกจากท่อดูด
- ปิดสวิตช์เครื่องดูดฝุ่นโดยกดปุ่มเปิด-ปิด (4)

### การดูแลรักษา

▶ **อย่าใช้เครื่องดูดฝุ่นเพื่อ**

**ดูดของเหลวที่ไวไฟหรือระเบิดได้ ตัวอย่าง เช่น เบนซิน น้ำมัน แอลกอฮอล์ ตัวทำละลาย อย่าดูดฝุ่นที่ร้อน ลุกไหม หรือระเบิดได้ อย่าใช้เครื่องดูดฝุ่นทำงานในบริเวณที่อาจเกิดระเบิดได้ ฝุ่น ไอระเหย หรือของเหลว อาจกลายเป็นไฟหรือระเบิดได้**

▶ **ห้ามใช้เครื่องดูดฝุ่นเป็นเครื่องบ่มน้ำเต๋ตขาด เครื่องดูดฝุ่นนี้ใช้สำหรับดูดลมผสมน้ำ**

#### ขั้นตอนก่อนการดูแลรักษา

- เปิดชอฮิต (7) และถอดส่วนบนของเครื่องดูดฝุ่น (6) ออก
- หากจำเป็น ให้ถอดถุงกำจัดทิ้ง (20) หรือถุงเก็บผงออก
- หากจำเป็น ให้ถ่ายถังถังบรรจุ (1)
- สวมส่วนบนของเครื่องดูดฝุ่น (6) ลงและปิดชอฮิต (7)

#### การดูดของเหลว

- เปิดสวิตช์เครื่องดูดฝุ่น
- เครื่องดูดฝุ่นมีลูกกลอยติดตั้งอยู่ เมื่อเต็มถึงระดับสูงสุด เครื่องดูดฝุ่นจะหยุดทำงาน
- ปิดสวิตช์เครื่องดูดฝุ่น
  - ถ่ายถังบรรจุ (1)

เพื่อป้องกันไม่ให้เชื้อราก่อตัวหลังการดูแลรักษา:

- นำส่วนบนของเครื่องดูดฝุ่น (6) ออก และนำออกจากแบบจิบ (28) และปล่อยให้แห้งสนิท

### ระบบทำความสะอาดตัวกรองกึ่งอัตโนมัติ (ดูภาพประกอบ F)

ท่านต้องกระตุ้นระบบทำความสะอาดตัวกรองให้ทำงานเมื่อไม่มีพลังดูดเพียงพอเป็นอย่างช้าที่สุด

ความถี่ในการใช้ระบบทำความสะอาดตัวกรองขึ้นอยู่กับประเภทฝุ่นและปริมาณฝุ่น หากใช้ระบบทำความสะอาดตัวกรองเป็นประจำ จะเพิ่มอายุการใช้งานของตัวกรอง ในระบบทำความสะอาดตัวกรองกึ่งอัตโนมัติ (SFC) ฝุ่นที่สะสมที่ครีบของตัวกรองจะถูกล้างออกไปด้วยการย้อนกลับของกระแสอากาศ

ตัวกรองแบบจิบที่มีสิ่งสกปรกติดอยู่บนพื้นผิวสามารถทำงานได้เต็มประสิทธิภาพการใช้เมื่อเคาะตัวกรองแบบจิบหรือการ



เป้าเพื่อทำความเข้าใจไม่จำเป็น และอาจทำให้ตัวกรองเสียหายด้วยซ้ำ

#### การเปิดใช้งานระบบทำความสะอาดตัวกรอง SFC

- ปิดช่องเปิดท่อดูดหรือหัวดูดด้วยฝ่ามือ
- กดสวิทช์ SFC (11) 3 ครั้ง

## การบำรุงรักษาและการบริการ

### การบำรุงรักษาและการทำความสะอาด

- ▶ **ถอดปลั๊กไฟ** ออกจากเต้าเสียบก่อนบำรุงรักษาหรือทำความสะอาดเครื่องดูดฝุ่น ทำการปรับแต่งใดๆ ที่เครื่อง เปลี่ยนอุปกรณ์ประกอบ หรือเก็บเครื่องดูดฝุ่นเข้าที่ มาตรการเพื่อความปลอดภัยนี้จะป้องกันไม่ให้เครื่องดูดฝุ่นติดขัดโดยไม่ตั้งใจ
- ▶ **รักษาเครื่องดูดฝุ่นและช่องระบายอากาศให้สะอาดเพื่อจะได้ทำงานได้อย่างปลอดภัยและมีประสิทธิภาพ**
- ▶ **สวมหน้ากากป้องกันฝุ่นเมื่อบำรุงรักษาและทำความสะอาดเครื่องดูดฝุ่น**

หากจำเป็นต้องเปลี่ยนสายไฟฟ้า ต้องส่งเครื่องให้ Bosch หรือศูนย์บริการหลังการขายที่ได้รับมอบหมายสำหรับเครื่องมือไฟฟ้า Bosch เปลี่ยนให้ ทั้งนี้เพื่อหลีกเลี่ยงอันตราย สำหรับการบำรุงรักษาโดยผู้ใช้ ต้องถอดเครื่องดูดฝุ่นออกทำความสะอาด และบำรุงรักษาเท่าที่จะทำได้ โดยไม่ทำให้เกิดอันตรายต่อพนักงานบำรุงรักษาหรือบุคคลอื่น ก่อนถอดควรทำความสะอาดเครื่องดูดฝุ่นเพื่อป้องกันอันตรายที่อาจเกิดขึ้นได้ ห้องที่ทำการถอดเครื่องดูดฝุ่นควรถ่ายเทอากาศได้ดี สวมใส่อุปกรณ์ป้องกันร่างกายระหว่างบำรุงรักษา หลังการบำรุงรักษา ควรทำความสะอาดบริเวณที่ทำการบำรุงรักษาส่งเครื่องดูดฝุ่นใหม่บริษัทผู้ผลิตหรือบุคคลที่ได้รับคำแนะนำ เพียงพอ ทำการตรวจสอบทางเทคนิคเกี่ยวกับฝุ่นอย่างน้อยปีละครั้ง ต. ย. เช่น ตรวจสอบความเสียหายของตัวกรอง ความดันรอยรั่วของเครื่องดูดฝุ่น และการทำงานของอุปกรณ์ควบคุม

สำหรับเครื่องดูดฝุ่นประเภท L ที่อยู่ในสภาพแวดล้อมที่เปราะบาง ต้องทำความสะอาดภายนอกและทุกชิ้นส่วนของเครื่องหรือเคลือบด้วยสารฟีนิก เมื่อบำรุงรักษาและซ่อมแซม ส่วนประกอบทั้งหมดที่ปนเปื้อนที่ไม่สามารถทำความสะอาดจนเป็นที่น่าพอใจ จะต้องนำไปกำจัด ต้องนำชิ้นส่วนดังกล่าวไปกำจัดโดยใส่ในถุงพลาสติกซิมน้ำผ่านไม้ที่สอดคล้องกับกฎระเบียบเพื่อการกำจัดของเสียดังกล่าวที่บังคับใช้

- ทำความสะอาดตัวเครื่องดูดฝุ่นเป็นครั้งคราวด้วยผ้าชุบน้ำหมาด ๆ

### การทำความสะอาดถังบรรจุ



- **เซ็ดถังบรรจุ (1)** ให้สะอาดเป็นครั้งคราวด้วยสารทำความสะอาดที่ไม่ทำให้เกิดรอยขีดข่วนที่มีจำหน่ายทั่วไป และปล่อยให้แห้ง

### การทำความสะอาดเครื่องกรอง

การถ่ายถังบรรจุฝุ่นและการทำความสะอาดตัวกรองเป็นประจำจะทำให้สามารถดูดฝุ่นได้อย่างมีประสิทธิภาพที่สุดหลังจากนั้น หากไม่สามารถดูดฝุ่นได้อย่างมีประสิทธิภาพ ต้องส่งเครื่องดูดฝุ่นไปยังศูนย์บริการหลังการขาย

### การถอด/การเปลี่ยนตัวกรอง (ดูภาพประกอบ G1-G2)

เปลี่ยนตัวกรองแบบจับที่ซารูดในทันที

- เปิดชอฮีด (7) และถอดส่วนบนของเครื่องดูดฝุ่น (6) ออก
- หมุนที่ยึดตัวกรอง (27) ไปในทิศทางการหมุน  จนสุด และถอดที่ยึดตัวกรองรวมทั้งแบบจับ (28) ออกจากส่วนบนของเครื่องดูดฝุ่น (6)
- ดึงตัวกรองแบบจับ (28) ออกจากที่ยึดตัวกรอง (27)
- แปรงครีบของตัวกรองแบบจับ (28) ด้วยแปรงขนอ่อนหรือเปลี่ยนตัวกรองแบบจับ (28) ที่ซารูดเสียหาย
- ใส่ที่ยึดตัวกรอง (27) บนตัวกรองแบบจับใหม่/ที่สะอาดตัวกรองแบบจับ (28)
- ใส่ที่ยึดตัวกรอง (27) พร้อมกับตัวกรองแบบจับ (28) ในเครื่องดูดฝุ่นจากด้านบนและหมุนที่ยึดตัวกรอง (27) ให้แน่นจนสุด 
- สวมส่วนบนของเครื่องดูดฝุ่น (6) ลงและปิดชอฮีด (7)

### ทำความสะอาดลูกลอย (ดูภาพประกอบ H)

ทำความสะอาดลูกลอย (29) เป็นระยะ

- เปิดชอฮีด (7) และถอดส่วนบนของเครื่องดูดฝุ่น (6) ออก
- นำที่ยึดตัวกรอง (27) พร้อมตัวกรองแบบจับ (28) ออกจากเครื่องดูดฝุ่นทางด้านบน (6)
- ดึงตัวกรองแบบจับ (28) ออกจากที่ยึดตัวกรอง (27)
- ล้างลูกลอย (29) ด้วยน้ำสะอาด
- ใส่ที่ยึดตัวกรอง (27) พร้อมตัวกรองแบบจับ (28) เข้าเครื่องดูดฝุ่นจากทางด้านบน (6)
- สวมส่วนบนของเครื่องดูดฝุ่น (6) ลงและปิดชอฮีด (7)

### การกำจัดเก็บและการขนย้าย (ดูภาพประกอบ I)

- ถ่ายและทำความสะอาดถังบรรจุ (1) เพื่อหลีกเลี่ยงการเจริญเติบโตของเชื้อรา ต้องให้ตัวกรองแบบจับ (28) และภายในเครื่องดูดฝุ่นแห้งอยู่เสมอ
- ม้วนสายไฟฟ้ารอบที่ม้วนเก็บสายไฟ (13)
- ใส่อุปกรณ์เสริมในตัวยึดที่หามา: ชอตดูด (18) ในตัวยึด (12), หัวดูดชอกุม (23) ในตัวยึด (15), หัวดูดฝุ่นหยาบ (22) ในตัวยึด (16)
- พันชอตดูด (17) ไว้รอบส่วนบนของเครื่องดูดฝุ่นในที่ยึด (14)
- ถือหรือหัวเครื่องดูดฝุ่นโดยจับตรงด้ามถือ (5)
- เก็บเครื่องดูดฝุ่นในท้องที่แห้งและปิดแน่นเพื่อป้องกันการนำออกมาใช้โดยไม่ได้รับอนุญาต
- ล็อคล้อเลื่อน (9) โดยเหยียบเบรกล้อเลื่อน (10) ลง

## การแก้ไขความผิดปกติ

- หากเกิดความผิดปกติขึ้น (ต. ย. เช่น ตัวกรองเสียหาย)  
ต้องปิดสวิทช์เครื่องดูดฝุ่นทันที ต้องแก้ไขความผิดปกติ  
ก่อนเริ่มทำงานต่อไป

ปัญหา	มาตรการแก้ไข
เทอร์โมสตัทไม่เริ่มทำงาน	- ตรวจสอบสายไฟฟ้า ปลั๊กไฟ ฟิวส์ เต้าเสียบ และลูกลอย (29) - กดปุ่มเปิด-ปิด (4) หรือเปิดสวิทช์เครื่องมือไฟฟ้าที่เชื่อมต่อกับเต้าเสียบ (3)
กักันดูดปิดสวิทช์	- ถ่ายถังบรรจุ (1)
เทอร์โมสตัทไม่เริ่มทำงานอีกครั้งหลังจาก จากถ่ายถังบรรจุแล้ว	- ปิดสวิทช์เครื่องดูดฝุ่นและรอ 5 วินาที หลังจาก 5 วินาทีให้เปิดสวิทช์อีกครั้ง - ทำความสะอาดลูกลอย (29)
หลังดูดลดลง	- นำเอาสิ่งอุดตันออกจากหัวดูด ท่อดูดแข็ง (21) ท่อดูด (17) หรือตัวกรองแบบจับ (28) - เปลี่ยนถุงกำจัดทิ้ง (20) หรือถุงเก็บผง - สวมส่วนบนของเครื่องดูดฝุ่น (6) เขายังถูกต้องและปิดขอยึด (7) - เปลี่ยนตัวกรองแบบจับ (28)
ฝุ่นลุดออกมายังดูด	- ตรวจสอบการติดตั้งตัวกรองแบบจับ (28) ว่าถูกต้องหรือไม่ - เปลี่ยนตัวกรองแบบจับ (28)
ระบบปิดสวิทช์อัตโนมัติ (การดูด เปียก) ไม่ตอบสนอง	- ทำความสะอาดลูกลอย (29) ระบบปิดสวิทช์อัตโนมัติไม่ทำงานเมื่อดูดของเหลวที่ไม่นำไฟฟ้าหรือโฝม - ตรวจสอบระดับเต็มตลอดเวลา

## การบริการหลังการขายและการให้คำปรึกษาการใช้งาน

ศูนย์บริการหลังการขายของเรายินดีตอบคำถามของ  
ท่านที่เกี่ยวกับการบำรุงรักษาและการซ่อมแซมผลิตภัณฑ์รวม  
ทั้งเรื่องอะไหล่ ภาพเขียนแบบการประกอบและข้อมูลเกี่ยวกับ  
อะไหล่ กรุณาดูใน: [www.bosch-pt.com](http://www.bosch-pt.com)  
ทีมงานที่ปรึกษาของ บอช ยินดีให้ข้อมูลเกี่ยวกับผลิตภัณฑ์  
ของเราและอุปกรณ์ประกอบต่างๆ  
เมื่อต้องการสอบถามและสั่งซื้ออะไหล่ กรุณาแจ้งหมายเลข  
สินค้า 10 หลักบนแผ่นป้ายรุ่นของผลิตภัณฑ์ทุกครั้ง

### ไทย

ไทย บริษัท โรเบิร์ต บอช จำกัด  
เอฟวายไอ เซ็นเตอร์ อาคาร 1 ชั้น 5  
เลขที่ 2525 ถนนพระราม 4  
แขวงคลองเตย เขตคลองเตย กรุงเทพฯ 10110  
โทร: +66 2012 8888  
แฟกซ์: +66 2064 5800  
[www.bosch.co.th](http://www.bosch.co.th)

ศูนย์บริการซ่อมและฝึกอบรม บอช  
อาคาร ลาซาลทาวเวอร์ ชั้น G ห้องเลขที่ 2  
บ้านเลขที่ 10/11 หมู่ 16  
ถนนศรีนครินทร์ ตำบลบางแก้ว อำเภอบางพลี

จังหวัดสมุทรปราการ 10540  
ประเทศไทย  
โทรศัพท์ 02 7587555  
โทรสาร 02 7587525

สามารถดูที่อยู่ศูนย์บริการอื่นๆ ได้ที่:  
[www.bosch-pt.com/serviceaddresses](http://www.bosch-pt.com/serviceaddresses)

### การกำจัดขยะ

เครื่องดูดฝุ่น อุปกรณ์ประกอบ และที่บ่ห่อ ต้องนำไปแยก  
ประเภทวัสดุเพื่อนำกลับมาใช้ใหม่โดยไม่ทำลายสภาพ  
แวดล้อม



อย่าทิ้งเครื่องดูดฝุ่นลงในขยะบ้าน!

## Bahasa Indonesia

### Petunjuk Keselamatan

#### Petunjuk Keselamatan untuk Alat Pengisap



Bacalah semua petunjuk keselamatan dan petunjuk penggunaan. Kesalahan dalam menjalankan petunjuk keselamatan dan petunjuk penggunaan dapat mengakibatkan kontak listrik, kebakaran dan/atau luka-luka yang berat.

Simpan semua peringatan dan petunjuk kerja untuk keperluan di waktu yang akan datang.

- ▶ **Alat pengisap ini tidak dirancang untuk digunakan oleh anak-anak dan orang yang memiliki keterbatasan fisik, mental atau sensorik, atau kurangnya pengalaman dan pengetahuan.** Jika tidak, hal tersebut dapat menimbulkan risiko kesalahan pengoperasian dan menyebabkan cedera.
- ▶ **Awasi anak Anda.** Dengan demikian, Anda dapat memastikan anak-anak tidak bermain dengan alat pengisap.
- ▶ **Jangan digunakan untuk mengisap serpihan kayu beech atau kayu oak, kerikil, atau asbes.** Bahan-bahan tersebut termasuk zat karsinogenik.

**⚠ PERINGATAN** Gunakan alat pengisap hanya jika Anda telah memiliki informasi yang cukup mengenai penggunaan alat pengisap, material yang diisap, dan pembuangan yang aman. Mengikuti instruksi dengan hati-hati dapat mengurangi kesalahan pengoperasian dan cedera.

**⚠ PERINGATAN** Alat pengisap cocok digunakan untuk membersihkan material yang kering dan juga untuk membersihkan cairan dengan tahapan yang sesuai. Masuknya cairan ke dalam alat dapat meningkatkan risiko sengatan listrik.

- ▶ **Jangan gunakan alat pengisap untuk mengisap cairan yang mudah terbakar dan dapat meledak, misalnya bensin, oli, alkohol, zat pelarut.** Jangan mengisap debu panas, debu yang terbakar atau eksplosif. Jangan mengoperasikan alat pengisap di ruangan yang dapat memicu ledakan. Debu, uap, atau cairan dapat terbakar atau meledak.

**⚠ PERINGATAN** Gunakan stopkontak hanya untuk tujuan yang telah ditentukan pada panduan pengoperasian.

**⚠ PERINGATAN** Segera matikan alat pengisap jika terdapat busa atau air yang keluar dan kosongkan wadahnya. Jika tidak, alat pengisap dapat rusak.

- ▶ **PERHATIAN!** Alat pengisap hanya boleh digunakan dan disimpan di dalam ruangan. Air hujan atau kondisi basah pada bagian atas alat pengisap dapat menimbulkan risiko terjadinya kontak listrik.
  - ▶ **PERHATIAN!** Bersihkan pelampung secara rutin dan periksa apakah terdapat kerusakan. Fungsi dapat terganggu jika terdapat kerusakan.
  - ▶ **Jika penggunaan alat pengisap di tempat yang basah tidak dapat dihindarkan, gunakanlah pemutus sirkuit arus.** Penggunaan pemutus sirkuit arus mengurangi risiko terjadinya kontak listrik.
  - ▶ **Periksa alat pengisap, kabel, dan plug setiap sebelum digunakan.** Jangan menggunakan alat pengisap jika terdapat kerusakan. Jangan membuka alat pengisap sendiri dan serahkan hal tersebut pada petugas resmi dan lakukan perbaikan hanya menggunakan suku cadang asli. Alat pengisap, kabel, dan steker yang rusak menambah risiko terjadinya kontak listrik.
  - ▶ **Kabel jangan sampai tertarik.** Jangan menarik kabel saat akan melepas plug dari stopkontak atau menggerakkan alat pengisap. Kabel yang rusak membuat risiko terjadinya kontak listrik menjadi lebih besar.
  - ▶ **Selalu lepas steker dari stopkontak sebelum melakukan perawatan atau pembersihan, melakukan penyetulan, mengganti bagian aksesoris, atau meletakkan alat pengisap.** Tindakan pencegahan ini dilakukan untuk menghindari penyalan alat pengisap yang tidak diinginkan.
  - ▶ **Upayakanlah agar ada pertukaran udara di tempat kerja.**
  - ▶ **Serahkan perbaikan alat pengisap hanya pada petugas resmi dengan menggunakan suku cadang asli.** Dengan demikian, keselamatan kerja dengan alat pengisap selalu terjamin.
- ⚠ PERINGATAN** Alat pengisap berisi debu yang berisiko bagi kesehatan. Lakukan proses pengosongan, perawatan, pembersihan kontainer debu hanya oleh orang yang ahli. Diperlukan peralatan keselamatan yang sesuai. Jangan mengoperasikan alat pengisap tanpa sistem penyaring yang lengkap dan terpasang dengan cermat. Jika tidak, hal tersebut dapat membahayakan kesehatan.
- ▶ **Periksa kondisi slang pengisap yang sesuai sebelum memulai pengoperasian awal.** Selain itu, biarkan slang pengisap terpasang pada alat agar debu tidak keluar. Jika tidak, bisa jadi Anda menghirup debu.
  - ▶ **Jangan menggunakan alat pengisap sebagai tempat duduk.** Alat pengisap dapat rusak jika diduduki.

- ▶ **Gunakan kabel daya dan slang pengisap dengan hati-hati.** Anda dapat membahayakan orang lain dengan benda tersebut.
- ▶ **Jangan membersihkan alat pengisap di bawah air yang mengalir langsung.** Air yang masuk ke bagian atas alat pengisap dapat menimbulkan risiko terjadinya kontak listrik.
- ▶ **Sambungkan alat pengisap ke suplai daya yang di-grounding dengan benar.** Stopkontak dan kabel ekstensi harus memiliki konduktor pelindung yang berfungsi.

## Simbol-simbol

Simbol-simbol berikut dapat sangat membantu Anda selama penggunaan alat pengisap. Pelajari dan ingat simbol-simbol berikut beserta maknanya. Penafsiran yang benar dari simbol-simbol ini dapat membantu Anda untuk menggunakan alat pengisap dengan aman dan lebih baik.

### Simbol dan artinya



**PERINGATAN! Bacalah semua instruksi dan petunjuk keselamatan.** Kelalaian yang dikarenakan tidak mengikuti instruksi dan petunjuk keselamatan dengan benar dapat menyebabkan sengatan listrik, kebakaran dan/atau cedera serius.



Alat pengisap kategori debu L sesuai IEC/EN 60335-2-69 untuk **pengisapan kering** pada debu yang membahayakan kesehatan dengan nilai batas eksposur  $> 1 \text{ mg/m}^3$



**PERINGATAN! Alat pengisap berisi debu yang berisiko bagi kesehatan. Hanya lakukan proses pengosongan dan perawatan, termasuk pembersihan kontainer debu oleh orang yang ahli. Diperlukan peralatan keselamatan yang sesuai. Jangan mengoperasikan alat pengisap tanpa sistem filter yang lengkap dan terpasang dengan benar.** Jika tidak, hal tersebut dapat membahayakan kesehatan.

## Spesifikasi produk dan performa



**Bacalah semua petunjuk keselamatan dan petunjuk penggunaan.** Kesalahan dalam menjalankan petunjuk keselamatan dan

petunjuk penggunaan dapat mengakibatkan kontak listrik, kebakaran, dan/atau luka-luka yang berat.

Perhatikan ilustrasi yang terdapat pada bagian depan panduan pengoperasian.

## Tujuan penggunaan

Alat pengisap ini dirancang untuk mengumpulkan, mengisap, mengangkut, dan memisahkan debu kering yang tidak mudah terbakar, cairan yang tidak mudah terbakar, serta campuran udara dan air. Alat pengisap telah diperiksa dan sesuai dengan kelas debu L. Sangat cocok untuk beban penggunaan komersial lanjutan, misalnya dalam bidang pertukangan, industri, dan bengkel.

Alat pengisap kategori debu L sesuai IEC/EN 60335-2-69 hanya boleh digunakan untuk mengisap debu yang berbahaya bagi kesehatan dengan nilai batas eksposur  $> 1 \text{ mg/m}^3$ .

Gunakan alat pengisap hanya jika Anda benar-benar mengenal dan menguasai semua fungsinya serta dapat mengoperasikannya tanpa keterbatasan atau telah menerima petunjuk-petunjuk rinci tentang penggunaannya.

## Ilustrasi komponen

Penomoran ilustrasi komponen sesuai dengan gambar alat pengisap pada halaman bergambar.

- (1) Penampung debu
- (2) Dudukan slang
- (3) Stopkontak untuk perkakas listrik
- (4) Tombol on/off
- (5) Gagang angkat
- (6) Bagian atas alat pengisap
- (7) Pengunci untuk bagian atas alat pengisap
- (8) Rotor
- (9) Caster
- (10) Rem caster
- (11) Tombol SFC
- (12) Dudukan untuk adaptor pengisap
- (13) Dudukan kabel
- (14) Dudukan untuk slang isap
- (15) Dudukan untuk nozel celah/nozel bengkok
- (16) Dudukan untuk nozel kotoran kasar
- (17) Slang isap
- (18) Adaptor pengisap
- (19) Nozel bengkok
- (20) Kantong pembuangan
- (21) Pipa isap
- (22) Nozel kotoran kasar
- (23) Nozel celah
- (24) Tombol tekan
- (25) Penahan untuk dudukan slang isap
- (26) Lubang udara
- (27) Dudukan filter
- (28) Filter lipat
- (29) Pengapung

## Data teknis

Alat pengisap basah/kering		GAS 15 L SFC	
Nomor model		3 601 J7B 0..	
Tegangan nominal	V	220–240	
Input daya nominal	W	1200	
Frekuensi	Hz	50–60	
Volume kontainer (bruto/neto)	l	19/15	
Volume bersih (cairan)	l	11,5	
Volume kantong debu	l	7,5	
Tekanan negatif maks. <sup>A)</sup>			
– Alat pengisap	hPa	202	
– Turbin	hPa	215	
Kecepatan isap maks. <sup>A)</sup>			
– Alat pengisap	l/s	50	
	m <sup>3</sup> /s	0,05	
– Turbin	l/s	62	
	m <sup>3</sup> /s	0,062	
Daya isap maks.	W	245	
Permukaan filter lipat	m <sup>2</sup>	0,28	
Kategori debu		L	
Berat sesuai dengan EPTA-Procedure 01:2014	kg	6,4	
Tingkat perlindungan		⊕/I	
Jenis perlindungan		IPx4	

A) dihitung dengan slang isap dengan diameter 35 mm dan panjang 3 m

Data-data berlaku untuk tegangan nominal [U] 230 V. Pada tegangan yang lebih rendah dan pada model khusus mancanegara data-data ini bisa berlainan.

### Start/stop otomatis<sup>A)</sup>

	Tegangan nominal	Daya maksimal	Daya minimal
CN	220–230 V	2000 W	100 W
KO	220–230 V	2000 W	100 W
TH	220–230 V	2000 W	100 W
ID	220–230 V	2000 W	100 W
VI	220–230 V	2000 W	100 W
ID	220–230 V	2000 W	100 W

A) Informasi input daya yang diperbolehkan dari perkasas listrik yang terhubung (tergantung negara masing-masing)

## Pemasangan

- ▶ **Selalu lepas steker dari stopkontak sebelum melakukan perawatan atau pembersihan, melakukan penyetulan, mengganti bagian aksesoris, atau meletakkan alat pengisap.** Tindakan pencegahan ini

dilakukan untuk menghindari penyalaaan alat pengisap yang tidak diinginkan.

### Memasang aksesoris alat pengisap (lihat gambar A)

Slang isap (17) dilengkapi dengan sistem klip yang dapat disambungkan dengan aksesoris alat pengisap (adaptor pengisapan (18), nozel bengkok (19)).

#### Memasang nozel dan pipa

- Pasang nozel bengkok (19) pada slang isap (17) hingga kedua tombol tekan (24) pada slang isap terdengar mengunci.
- Kemudian pasang dengan kuat aksesoris alat pengisap yang diinginkan (nozel kotoran kasar, nozel celah, pipa isap, dll.) ke nozel bengkok (19).
- Untuk melepaskan, tekan tombol tekan (24) ke arah dalam lalu tarik dan lepaskan komponen.

#### Memasang adaptor pengisap

- Pasang adaptor pengisapan (18) pada slang isap (17) hingga kedua tombol (24) pada slang isap terkunci.
- Untuk membongkar, tekan tombol (24) ke dalam dan pisahkan komponen.

### Memasangudukan untuk slang isap (lihat gambar B)

- Dorong dengan kuat dudukan (14) untuk slang isap (17) ke dalam dudukan yang disediakan (25) hingga terkunci.

### Memasang slang isap (lihat gambar C)

- Pasang dengan kuat slang isap (17) ke dalam dudukan slang (2).

**Catatan:** Saat melakukan pengisapan, gesekan debu di dalam slang isap dan aksesorinya akan menciptakan muatan elektrostatik yang dapat dirasakan oleh pengguna dalam bentuk listrik statis (tergantung pada pengaruh lingkungan dan reaksi fisik).

Bosch merekomendasikan untuk menggunakan slang isap antistatik (aksesoris) saat mengisap debu halus dan material kering.

### Memasang/melepas kantong pembuangan atau kantong debu (pengisapan kering) (lihat gambar D1–D2)

Gunakan kantong pembuangan (20) atau kantong debu (aksesoris) ke dalam kontainer (1) untuk pengisapan kering. Dengan demikian, pembuangan debu dapat dilakukan dengan lebih mudah.

#### Memasang kantong pembuangan

- Buka pengunci (7) dan lepaskan bagian atas alat pengisap (6).
- Pasang kantong pembuangan (20) ke dalam kontainer (1) dengan lubang pengisian menghadap ke atas.

- Tarik lubang pengisian melalui flensa penghubung hingga masuk ke dalam lubang flensa penghubung.
- Pastikan kantong pembuangan **(20)** terpasang sepenuhnya pada sisi bagian dalam kontainer **(1)**.
- Lipat sisa kantong pembuangan **(20)** pada tepi kontainer **(1)**.
- Pasang bagian atas alat pengisap **(6)** lalu kunci pengunci **(7)**.

#### Melepas dan mengunci kantong pembuangan

- Buka pengunci **(7)** dan lepaskan bagian atas alat pengisap **(6)**.
- Lepaskan kantong pembuangan **(20)** yang penuh dari flensa penghubung ke arah belakang.
- Angkat kantong pembuangan **(20)** dari kontainer **(1)** dengan hati-hati tanpa merusaknya. Pastikan kantong pembuangan tidak menyentuh flensa penghubung atau benda tajam lainnya.
- Ikat kantong pembuangan **(20)** di bawah lubang pengisian.

#### Mengganti/memasang kantong debu (aksesori)

- Buka pengunci **(7)** dan lepaskan bagian atas alat pengisap **(6)**.
- Lepaskan kantong debu yang telah penuh dari flensa penghubung ke arah belakang. Tutup lubang kantong debu dengan cara melipat penutupnya. Lepas kantong debu yang telah ditutup dari penampung debu **(1)**.
- Letakkan kantong debu yang baru pada flensa penghubung alat pengisap debu. Pastikan kantong debu berukuran sesuai dengan dinding bagian dalam penampung debu **(1)**.
- Pasang bagian atas alat pengisap **(6)** lalu kunci pengunci **(7)**.

## Penggunaan

- **Selalu lepas steker dari stopkontak sebelum melakukan perawatan atau pembersihan, melakukan penyetelan, mengganti bagian aksesori, atau meletakkan alat pengisap.** Tindakan pencegahan ini dilakukan untuk menghindari penyalaan alat pengisap yang tidak diinginkan.

Saat mengoperasikan alat pengisap, pastikan caster **(9)** terkunci dengan rem caster **(10)** untuk mencegah alat pengisap bergerak secara tidak disengaja. Uji fungsi impeler **(8)** dan caster **(9)** dengan permukaan terkait sebelum digunakan.

#### Cara penggunaan

- **Perhatikan tegangan listrik!** Tegangan pada sumber listrik harus sesuai dengan informasi yang tercantum pada label tipe alat pengisap. Alat pengisap bertanda 230 V juga dapat dioperasikan pada tegangan 220 V.
- **Carilah informasi tentang peraturan/hukum yang berlaku mengenai penanganan debu berbahaya di negara Anda.**

Alat pengisap diperbolehkan untuk mengisap material berikut ini:

- Debu dengan nilai batas eksposisi > 1 mg/m<sup>3</sup>

Alat pengisap tidak boleh digunakan di ruangan yang rentan terjadi ledakan.

Untuk memastikan kinerja alat pengisap yang optimal, slang isap **(17)** harus selalu dipasang dengan benar pada bagian atas alat pengisap **(6)**.

## Pengisapan kering

#### Pengisapan debu yang mengendap

- Untuk **menghidupkan** alat pengisap, tekan singkat tombol on/off **(4)**.
- Untuk **mematikan** alat pengisap, tekan kembali tombol on/off **(4)**.

#### Mengisap debu dari perkakas listrik yang beroperasi (lihat gambar E)

- **Harus ada pertukaran udara (L) yang cukup saat udara buang kembali ke ruangan. Perhatikan peraturan nasional yang relevan.**

Stopkontak pengaman **(3)** terintegrasi di dalam alat pengisap. Di sana, perkakas listrik eksternal dapat dihubungkan. Perhatikan input daya maksimal yang diperbolehkan dari perkakas listrik yang terhubung.

- Pasang adaptor pengisapan **(18)** (lihat „Memasang adaptor pengisap“, Halaman 37).
- Masukkan adaptor pengisap **(18)** ke dalam soket isap perkakas listrik.

**Catatan:** Saat bekerja menggunakan perkakas listrik dengan suplai udara yang sedikit pada slang isap (misalnya gergaji, gerinda, dll), lubang udara **(26)** pada adaptor pengisap **(18)** harus dibuka. Hanya dengan demikian pembersihan filter semi otomatis (SFC) dapat bekerja tanpa masalah. Untuk itu, putar cincin pada lubang udara **(26)** hingga lubang udara terbuka sepenuhnya.

- Untuk **mulai mengoperasikan start/stop otomatis** pada alat pengisap, tekan singkat tombol on/off **(4)**.
- Untuk **mulai mengoperasikan** alat pengisap, hidupkan perkakas listrik yang terhubung ke stopkontak **(3)**. Alat pengisap hidup secara otomatis.
- Matikan perkakas listrik untuk **mengakhiri proses pengisapan**. Fungsi penundaan shutdown pada mode start/stop otomatis berlangsung hingga 15 detik untuk mengisap sisa debu dari slang isap.
- Untuk **mematikan** alat pengisap, tekan tombol on/off **(4)**.

## Pengisapan basah

- **Jangan gunakan alat pengisap untuk mengisap cairan yang mudah terbakar dan dapat meledak, misalnya bensin, oli, alkohol, zat pelarut. Jangan mengisap debu panas, debu yang terbakar atau eksplosif. Jangan mengoperasikan alat pengisap di ruangan yang dapat memicu ledakan.** Debu, uap, atau cairan dapat terbakar atau meledak.

- ▶ **Alat pengisap tidak boleh digunakan sebagai pompa air.** Alat pengisap dirancang untuk mengisap udara dan campuran air.

#### Langkah kerja sebelum melakukan pengisapan basah

- Buka pengunci (7) dan lepaskan bagian atas alat pengisap (6).
- Lepaskan kantong pembuangan (20) atau kantong debu bila perlu.
- Kosongkan kontainer (1) bila perlu.
- Pasang bagian atas alat pengisap (6) lalu tutup penutup (7).

#### Mengisap cairan

- Hidupkan alat pengisap.

Alat pengisap dilengkapi dengan sebuah pengapung. Pengisapan akan dihentikan jika telah mencapai level pengisian maksimal.

- Matikan alat pengisap.
- Kosongkan penampung debu (1).

Untuk mencegah pembentukan jamur setelah pengisapan basah:

- Lepaskan bagian atas alat pengisap (6), lepaskan filter lipat (28) dan biarkan semuanya benar-benar mengering.

#### Pembersihan filter semi otomatis (lihat gambar F)

Filter harus dioperasikan paling lambat ketika daya isap tidak lagi memadai.

Frekuensi pembersihan filter bergantung pada jenis dan kuantitas debu. Pada penggunaan biasa, performa pengisapan yang maksimal akan bertahan lebih lama.

Pada pembersihan filter semi otomatis (SFC), aliran udara dibalik untuk membersihkan bagian-bagian filter dari kumpulan debu.

Filter berlipat yang tidak terlalu kotor masih dapat berfungsi dengan baik. Jangan memukul-mukulkan atau meniup filter flat-fold saat membersihkan secara manual karena dapat merusak filter.

#### Melepaskan pembersihan filter SFC

- Tutup nozel atau lubang slang isap dengan telapak tangan.
- Tekan tombol SFC (11) 3 kali.

## Perawatan dan servis

#### Perawatan dan pembersihan

- ▶ **Selalu lepas steker dari stopkontak sebelum melakukan perawatan atau pembersihan, melakukan penyetelan, mengganti bagian aksesoris, atau meletakkan alat pengisap.** Tindakan pencegahan ini dilakukan untuk menghindari penyalaaan alat pengisap yang tidak diinginkan.
- ▶ **Jaga kebersihan alat pengisap dan lubang ventilasi agar dapat digunakan dengan baik dan aman.**

- ▶ **Pakailah masker debu saat melakukan perawatan dan pembersihan alat pengisap.**

Jika kabel listrik harus diganti, pekerjaan ini harus dilakukan oleh **Bosch** atau Service Center untuk perkakas listrik **Bosch** resmi agar keselamatan kerja selalu terjamin.

Jika pengguna bermaksud untuk melakukan perawatan pada alat pengisap, alat pengisap harus dibongkar, dibersihkan dan dirawat, jika memang dapat dilakukan tanpa menimbulkan bahaya bagi orang yang melakukan perawatan maupun orang lain. Sebelum membongkar alat pengisap, bersihkan alat pengisap terlebih dulu untuk mencegah timbulnya bahaya. Ruangan tempat alat pengisap dibongkar harus berventilasi baik. Selama melakukan perawatan, pakailah perlengkapan pelindung badan. Setelah perawatan selesai, bersihkan area perawatan.

Alat pengisap harus diperiksa oleh produsen atau orang yang ahli setidaknya sekali dalam setahun, misalnya terkait kerusakan filter, kerapatan alat pengisap dan fungsi perlengkapan kontrol.

Bagian luar atau seluruh komponen mesin sebaiknya dibersihkan atau ditutup misalnya dengan perekat saat mengisap dengan kategori L di lingkungan yang kotor. Buang semua komponen yang kotor yang tidak dapat dibersihkan dengan sempurna ketika melakukan perawatan atau reparasi. Komponen tersebut harus dibuang dalam penampung debu nontransparan sesuai dengan ketentuan yang berlaku untuk pembuangan sampah tersebut.

- Bersihkan housing alat pengisap sesekali dengan kain yang lembap.

#### Membersihkan penampung debu

- Seka penampung debu (1) sesekali dengan cairan pembersih nonabrasif yang dijual bebas lalu biarkan mengering.

#### Membersihkan filter

Mengosongkan penampung debu dan membersihkan filter secara rutin akan menjamin daya pengisapan yang optimal. Jika daya pengisapan setelah itu tetap tidak memadai, hubungi layanan pelanggan Bosch.

#### Melepaskan/mengganti filter (lihat gambar G1–G2)

Segera ganti filter berlipat yang rusak.

- Buka pengunci (7) dan lepaskan bagian atas alat pengisap (6).
- Putar dudukan filter (27) ke arah putaran  hingga maksimal lalu lepaskan dudukan filter bersamaan dengan filter lipat (28) dari bagian atas alat pengisap (6).
- Lepaskan filter lipat (28) yang kotor/rusak dari dudukan filter (27).
- Sikat bilah filter lipat (28) dengan sikat yang lembut. *atau*  
Ganti filter lipat (28) yang rusak.
- Pasang dudukan filter (27) pada filter lipat (28) yang telah dibersihkan/ yang baru.
- Pasang dudukan filter (27) bersamaan dengan filter lipat (28) pada bagian atas alat pengisap dan putar dudukan filter (27) ke arah putaran  hingga maksimal.

- Pasang bagian atas alat pengisap (6) lalu tutup penutup (7).

#### Membersihkan pengapung (lihat gambar H)

Bersihkan pengapung secara berkala (29).

- Buka pengunci (7) dan lepaskan bagian atas alat pengisap (6).
- Lepaskan dudukan filter (27) bersamaan dengan filter lipat (28) dari bagian atas alat pengisap (6).
- Lepaskan filter lipat (28) dari dudukan filter (27).
- Bersihkan pengapung (29) dengan air.
- Pasang kembali dudukan filter (27) dengan filter lipat (28) pada bagian atas alat pengisap (6).
- Pasang bagian atas alat pengisap (6) lalu tutup penutup (7).

#### Perbaiki gangguan

- Jika terjadi gangguan (misalnya filter retak), alat pengisap harus segera dimatikan. Sebelum kembali memulai pengoperasian, gangguan harus diatasi.

Masalah	Solusi
Turbin isap tidak beroperasi.	<ul style="list-style-type: none"> <li>- Periksa kabel, steker, sekering, stopkontak dan pengapung (29).</li> <li>- Tekan singkat tombol on/off (4) atau hidupkan perangkat listrik yang terhubung ke stopkontak (3).</li> </ul>
Turbin isap mati.	<ul style="list-style-type: none"> <li>- Kosongkan penampung debu (1).</li> </ul>
Turbin isap tidak beroperasi kembali setelah penampung debu dikosongkan.	<ul style="list-style-type: none"> <li>- Matikan alat pengisap dan tunggu selama 5 detik, hidupkan kembali setelah 5 detik.</li> <li>- Bersihkan pengapung (29).</li> </ul>
Daya isap menurun.	<ul style="list-style-type: none"> <li>- Bersihkan penyumbat dari nozel isap, pipa isap (21), slang isap (17) atau filter lipat (28).</li> <li>- Ganti kantong pembuangan (20) atau kantong debu.</li> <li>- Pasang bagian atas alat pengisap (6) dengan benar dan kunci pengunci (7).</li> <li>- Ganti filter lipat (28).</li> </ul>
Debu keluar ketika pengisapan	<ul style="list-style-type: none"> <li>- Pastikan filter lipat (28) terpasang dengan benar.</li> <li>- Ganti filter lipat (28).</li> </ul>
Penonaktifan otomatis (pengisapan basah) tidak berfungsi.	<ul style="list-style-type: none"> <li>- Bersihkan pengapung (29).</li> </ul> <p>Penonaktifan otomatis tidak beroperasi pada cairan nonkonduktif atau saat pembentukan busa.</p> <ul style="list-style-type: none"> <li>- Selalu periksa level pengisian.</li> </ul>

#### Layanan pelanggan dan konsultasi penggunaan

Layanan pelanggan Bosch menjawab semua pertanyaan Anda tentang reparasi dan perawatan serta tentang suku cadang produk ini. Gambaran teknis (exploded view) dan informasi mengenai suku cadang dapat ditemukan di:

**www.bosch-pt.com**

Tim konsultasi penggunaan Bosch akan membantu Anda menjawab pertanyaan seputar produk kami beserta aksesornya.

#### Penyimpanan dan pengangkutan (lihat gambar I)

- Kosongkan dan bersihkan kontainer (1). Pastikan filter lipat (28) dan bagian dalam alat pengisap dalam keadaan kering untuk mencegah pertumbuhan jamur.
- Gulung kabel listrik pada dudukan kabel (13).
- Pasang aksesoris pada dudukan yang disediakan: Adaptor pengisap (18) pada dudukan (12), nozel celah (23) pada dudukan (15), nozel kotor kasar (22) pada dudukan (16).
- Masukkan slang isap (17) di sekeliling bagian atas alat pengisap ke dalam dudukan (14).
- Angkut alat pengisap pada gagang angkat (5).
- Simpan alat pengisap di tempat yang kering dan pastikan alat tidak disalahgunakan.
- Untuk mengunci caster (9), tekan rem caster (10) ke bawah.

Jika Anda hendak menanyakan sesuatu atau memesan suku cadang, selalu sebutkan nomor model yang terdiri dari 10 angka dan tercantum pada label tipe produk.

#### Indonesia

PT Robert Bosch Indonesia  
 Arkadia Green Park Tower G – 7th floor  
 Jl. Let. Jend. TB. Simatupang Kav.88  
 Jakarta 12520  
 Tel.: (021) 3005 5800  
 Fax: (021) 3005 5801



E-Mail: [boschpowertools@id.bosch.com](mailto:boschpowertools@id.bosch.com)  
[www.bosch-pt.co.id](http://www.bosch-pt.co.id)

Alamat layanan lainnya dapat ditemukan di:  
[www.bosch-pt.com/serviceaddresses](http://www.bosch-pt.com/serviceaddresses)

### Cara membuang

Alat pengisap, aksesoris, dan kemasan harus didaur ulang secara ramah lingkungan.



Jangan membuang alat pengisap bersama dengan sampah rumah tangga!

## Tiếng Việt

### Hướng dẫn an toàn

#### Hướng dẫn an toàn của máy hút bụi



Đọc kỹ mọi cảnh báo an toàn và mọi hướng dẫn. Không tuân thủ mọi cảnh báo và hướng dẫn được liệt kê dưới đây có thể bị điện giật, gây cháy và / hay bị thương tật nghiêm trọng.

Hãy giữ tất cả tài liệu về cảnh báo và hướng dẫn để tham khảo về sau.

- ▶ **Máy hút bụi này không thiết kế dành cho đối tượng sử dụng là trẻ em và người bị hạn chế về thể chất, khả năng giác quan kém hoặc tâm thần hoặc thiếu kinh nghiệm và thiếu hiểu biết.** Nếu không sẽ có nguy cơ sai sót khi vận hành và gây thương tích.
- ▶ **Hãy giám sát trẻ em.** Để đảm bảo rằng, trẻ em không chơi với máy hút bụi.
- ▶ **Không hút như bụi gỗ sỏi hoặc bụi gỗ dẻ gai, bụi đá hoặc Amiăng.** Những chất này được coi là chất gây ung thư.

**⚠ CẢNH BÁO** Chỉ sử dụng máy hút bụi, khi bạn đã có đủ thông tin về việc sử dụng máy hút bụi, về chất được hút và về việc xử lý an toàn. Một bản hướng dẫn chi tiết

sẽ giúp làm giảm sai sót khi vận hành và tránh bị thương tích.

**⚠ CẢNH BÁO** Máy hút bụi chỉ thích hợp để hút các chất khô và cũng phù hợp để hút chất lỏng nhờ các biện pháp phù hợp. Chất lỏng thấm vào sẽ làm tăng nguy cơ giật điện.

▶ **Không hút các chất lỏng dễ cháy hoặc dễ nổ, ví dụ như xăng, dầu, cồn, dung môi. Không hút các bụi nóng, bụi dễ cháy nổ. Không vận hành máy hút bụi trong các không gian để nổ.** Rác, chất khí, chất lỏng loại có thể gây cháy hay nổ.

**⚠ CẢNH BÁO** Chỉ sử dụng ổ cắm cho các mục đích được quy định trong hướng dẫn vận hành.

**⚠ CẢNH BÁO** Tắt máy hút bụi ngay lập tức, ngay khi bọt và nước xuất hiện và hãy xả rỗng bình chứa. Nếu không, máy hút bụi có thể bị hư hại.

▶ **LƯU Ý!** Máy hút bụi chỉ được sử dụng và bảo quản trong nhà. Nếu nước mưa hoặc độ ẩm thấm vào phần trên của máy hút bụi sẽ làm tăng nguy cơ bị điện giật.

▶ **LƯU Ý!** Hãy vệ sinh phao thường xuyên và kiểm tra xem nó có bị hỏng không. Nếu không thì có thể làm suy giảm chức năng.

▶ **Nếu việc sử dụng máy hút bụi ở nơi ẩm ướt là không thể tránh được, dùng thiết bị ngắt mạch tự động (RCD) bảo vệ nguồn.** Sử dụng thiết bị ngắt mạch tự động RCD làm giảm nguy cơ bị điện giật.

▶ **Vui lòng kiểm tra trước khi sử dụng máy hút bụi, dây cáp và phích cắm.** Không được sử dụng máy hút bụi nếu bạn phát hiện có hư hỏng. Không tự mở máy hút bụi và chỉ để người có chuyên môn được đào tạo sửa và chỉ dùng các phụ tùng gốc để sửa chữa. Làm hư hại máy hút bụi, cáp và phích cắm làm tăng nguy cơ điện giật.

▶ **Không chạy qua hoặc đè bẹp cáp.** Không rút ở cáp, để rút đầu cắm ra khỏi ổ cắm hoặc di chuyển máy hút bụi. Dây dẫn bị hỏng làm tăng nguy cơ bị điện giật.

▶ **Hãy tháo phích cắm ra khỏi ổ cắm điện, trước khi bạn bảo dưỡng hoặc làm sạch, điều chỉnh thiết bị, thay phụ kiện, hoặc để xa máy hút bụi.** Biện pháp thận trọng sẽ tránh việc khởi động máy hút bụi không chủ ý.

▶ **Tạo cho nơi làm việc được thông thoáng tốt.**

▶ **Chỉ để người có chuyên môn được đào tạo dùng các phụ tùng gốc để sửa chữa.** Điều này bảo đảm cho sự an toàn của máy hút bụi của bạn được giữ nguyên.

**⚠ CẢNH BÁO** Máy hút bụi có chứa bụi gây hại cho sức khỏe. Chỉ để thợ chuyên môn tiến hành các quá trình xả rỗng và

**bảo dưỡng, bao gồm xử lý bình chứa thu gom bụi. Cần có một thiết bị bảo hộ tương ứng. Không vận hành máy hút bụi mà không có hệ thống lọc đầy đủ và được lắp cẩn thận.** Nếu không bạn sẽ gây nguy hiểm cho sức khỏe của mình.

- ▶ **Trước khi vận hành, hãy kiểm tra tình trạng không lỗi của ống hút. Khi đó, hãy cho lắp ống hút ở máy hút bụi, để bụi không vô tình xuất hiện.** Nếu không, bạn có thể hít phải bụi.
- ▶ **Không sử dụng máy hút bụi làm ghế ngồi.** Máy hút bụi có thể bị hư hỏng.
- ▶ **Sử dụng dây điện và ống hút cẩn thận.** Có thể gây nguy hại cho những người khác.
- ▶ **Không vệ sinh máy hút bụi bằng tia nước trực tiếp.** Nước vào nắp trên cùng của máy sẽ làm tăng nguy cơ bị điện giật.
- ▶ **Kết nối máy hút bụi với một ổ cắm điện có nối đất thích hợp.** Ổ cắm điện và dây nối dài phải có chức năng nối đất bảo vệ.

## Các Biểu Tượng

Các biểu tượng sau đây hàm chứa ý nghĩa cho việc sử dụng máy hút bụi của bạn. Xin vui lòng ghi nhận các biểu tượng và ý nghĩa của chúng. Sự hiểu đúng các biểu tượng sẽ giúp bạn biết cách sử dụng máy hút bụi tốt và an toàn hơn.

### Biểu tượng và các ý nghĩa của chúng



**CẢNH BÁO! Đọc kỹ mọi cảnh báo an toàn và mọi hướng dẫn.**

Không tuân thủ mọi cảnh báo và hướng dẫn được liệt kê dưới đây có thể bị điện giật, gây cháy và / hay bị thương tật nghiêm trọng.



Máy hút bụi loại bụi L theo IEC/EN 60335-2-69 về **hút khô** từ các loại bụi gây hại cho sức khỏe với giới hạn tiếp xúc là  $> 1 \text{ mg/m}^3$



**CẢNH BÁO! Máy hút bụi có chứa bụi gây hại cho sức khỏe. Chỉ để thợ chuyên môn tiến hành các quá trình xả rỗng và bảo dưỡng, bao gồm xử lý bình chứa thu gom bụi. Cần có một thiết bị bảo hộ tương ứng. Không vận hành máy hút bụi mà không có hệ thống lọc đầy đủ và được lắp cẩn thận.** Nếu không bạn sẽ gây nguy hiểm cho sức khỏe của mình.

## Mô Tả Sản Phẩm và Đặc Tính Kỹ Thuật



**Đọc kỹ mọi cảnh báo an toàn và mọi hướng dẫn.** Không tuân thủ mọi cảnh báo và hướng dẫn được liệt kê dưới

đây có thể bị điện giật, gây cháy và / hay bị thương tật nghiêm trọng.

Xin lưu ý các hình minh họa trong phần trước của hướng dẫn vận hành.

### Sử dụng đúng cách

Máy hút bụi này được dùng để thu gom, hút, hỗ trợ, loại bỏ các loại bụi khô và các chất lỏng không bắt lửa cũng như hỗn hợp nước không khí. Máy hút bụi được kiểm tra kỹ thuật và đáp ứng cho bụi loại L. Máy hút bụi này thích hợp với nhu cầu sử dụng công nghiệp ngày một tăng, ví dụ như dùng trong các nghề thủ công, công nghiệp và các công xưởng.

Máy hút bụi loại bụi L theo IEC/EN 60335-2-69 chỉ được phép dùng để hút và loại bỏ các loại bụi có hại cho sức khỏe với giới hạn tiếp xúc là  $> 1 \text{ mg/m}^3$ .

Chỉ sử dụng máy hút bụi khi bạn đã hiểu rõ và có thể sử dụng mọi chức năng một cách thông suốt, hay được hướng dẫn sử dụng đúng cách.

### Các bộ phận được minh họa

Việc đánh số các đặc điểm của sản phẩm để tham khảo hình minh họa của máy hút bụi trên trang hình ảnh.

- (1) Khoang chứa
- (2) Hốc cắm ống
- (3) Ổ cắm cho dụng cụ điện
- (4) Phím Bật/tắt
- (5) Tay Xách
- (6) Thân nắp máy hút
- (7) Chốt cài máy hút
- (8) Bánh công tác
- (9) Bánh xe nhỏ
- (10) Hãm bánh xe nhỏ
- (11) Công tắc SFC
- (12) Giá đỡ cho cút nối ống hút
- (13) Giá đỡ cấp
- (14) Giá đỡ cho vòi ống hút
- (15) Giá đỡ cho vòi dạng khe/vòi cong
- (16) Giá đỡ cho vòi hút chất bẩn thô
- (17) Vòi ống hút
- (18) Cút nối ống hút
- (19) Vòi ống cong

- (20) Túi rác
- (21) Ống hút cứng
- (22) Vòi hút chất bẩn thô
- (23) Vòi phun nổi
- (24) Nút bấm
- (25) Khe cắm cho giá đỡ ống hút
- (26) Miệng thoát khí
- (27) Giá đỡ bộ lọc
- (28) Bộ lọc gấp nếp
- (29) Pha đo

### Thông số kỹ thuật

Máy hút bụi khô/ướt	GAS 15 L SFC	
Mã số máy	3 601 J7B 0..	
Điện thế danh định	V	220–240
Công suất vào danh định	W	1200
Chu kỳ	Hz	50–60
Dung tích khoang chứa (tổng thể/tĩnh)	l	19/15
Thể tích thực (Chất lỏng)	l	11,5
Sức chứa túi đựng bụi	l	7,5
mức chân không tối đa <sup>A)</sup>		
– Máy hút bụi	hPa	202
– Tua bin	hPa	215
lưu lượng thể tích tối đa <sup>A)</sup>		
– Máy hút bụi	l/s	50
	m <sup>3</sup> /s	0,05
– Tua bin	l/s	62
	m <sup>3</sup> /s	0,062
công suất hút tối đa	W	245
Bộ lọc gấp nếp phẳng	m <sup>2</sup>	0,28
Mức bụi	L	
Trọng lượng theo EPTA-Procedure 01:2014	kg	6,4
Cấp độ bảo vệ		⊕/I
Mức độ bảo vệ		IPx4

A) được đo với một cái ống hút Ø 35 và dài 3 m

Các giá trị đã cho có hiệu lực cho điện thế danh định [U] 230 V. Đối với điện thế thấp hơn và các loại máy dành riêng cho một số quốc gia, các giá trị này có thể thay đổi.

Tự động Khởi động-/Ngừng <sup>A)</sup>			
	Điện thế danh định	Công suất tối đa	Công suất tối thiểu
CN	220–230 V	2000 W	100 W
KO	220–230 V	2000 W	100 W
TH	220–230 V	2000 W	100 W
ID	220–230 V	2000 W	100 W

### Tự động Khởi động-/Ngừng <sup>A)</sup>

	Điện thế danh định	Công suất tối đa	Công suất tối thiểu
VI	220–230 V	2000 W	100 W
ID	220–230 V	2000 W	100 W

A) Chỉ số công suất nối cho phép của dụng cụ điện đã kết nối (tiêu chuẩn quốc gia)

## Sự lắp vào

- ▶ **Hãy tháo phích cắm ra khỏi ổ cắm điện, trước khi bạn bảo dưỡng hoặc làm sạch, điều chỉnh thiết bị, thay phụ kiện, hoặc để xa máy hút bụi.** Biện pháp thận trọng sẽ tránh việc khởi động máy hút bụi không chủ ý.

### Lắp phụ kiện hút (xem hình A)

Vòi ống hút (17) được trang bị Clip-System, mà có thể được kết nối với phụ kiện hút (Bộ thích ứng hút (18), Vòi ống cong (19)).

### Gắn các đầu hút và ống hút

- Cắm vòi ống cong (19) vào ống hút mềm (17) cho đến khi cả hai nút bấm (24) của ống hút mềm được gài vào phát ra tiếng.
- Sau đó lắp phụ kiện muốn dùng (Vòi hút chất bẩn thô, vòi dạng khe, ống hút cứng v.v.) cố định vào vòi ống cong (19).
- Để tháo ra, ấn các nút bấm (24) vào trong và kéo các bộ phận ra.

### Lắp Bộ Phận Hút Ghép Nối

- Cắm bộ thích ứng hút (18) vào ống hút mềm (17) cho đến khi cả hai nút bấm (24) của ống hút mềm được gài vào phát ra tiếng.
- Để tháo ra, ấn các nút bấm (24) vào trong và kéo các bộ phận ra.

### Lắp giá đỡ cho ống hút (xem hình B)

- Hãy đẩy giá đỡ (14) cho ống hút (17) thật chặt vào khe cắm tương ứng (25), cho đến khi khớp vào.

### Lắp ống hút (xem Hình C)

- Cắm ống hút (17) thật chặt vào khe cắm ống (2).
- Hướng dẫn:** Khi hút, xuất hiện hiện tượng tĩnh điện trong ống mềm và các phụ kiện do sự ma sát của bụi mà người sử dụng có thể cảm nhận được sự phóng tích điện (phụ thuộc vào tác động của môi trường và độ nhạy cảm của cơ thể). Nói chung Bosch khuyên dùng một loại ống mềm (phụ kiện) chống tĩnh điện khi hút bụi mịn và các loại vật liệu khô.

## Lắp/tháo túi rác hoặc túi đựng bụi (hút khô) (xem Hình D1–D2)

Để hút bụi khô, đặt một chiếc túi rác (20) hoặc một chiếc túi đựng bụi (phụ kiện) vào trong khoang chứa (1). Nhờ vậy, việc xử lý bụi được giảm nhẹ.

### Lắp túi rác

- Mở các khóa (7) và tháo nắp trên cùng của máy hút bụi (6).
- Cài túi rác (20) với lỗ rót ra phía trước trong thùng chứa (1).
- Kéo lỗ rót qua mặt bích nối vào chỗ hõm của mặt bích nối.
- Đặt chắc chắn để túi rác (20) nằm lọt dựa vào các thành trong thùng chứa (1).
- Căng phần còn lại của túi rác (20) lên cạnh của thùng chứa (1).
- Đậy nắp trên cùng của máy hút bụi (6) và đóng các khóa (7).

### Bỏ túi rác và đóng khóa lại

- Mở các khóa (7) và tháo nắp trên cùng của máy hút bụi (6).
- Tháo túi rác đầy (20) ra khỏi mặt bích nối hướng xuống dưới.
- Lấy túi rác (20) cẩn thận không làm rách túi ra khỏi khoang chứa (1).  
Chú ý, không để túi rác va vào mặt bích nối hay các vật sắc cạnh khác.
- Buộc túi rác (20) bên dưới lỗ rót.

### Thay đổi/lắp túi chứa bụi (Phụ kiện)

- Mở các khóa (7) và tháo nắp trên cùng của máy hút bụi (6).
- Tháo túi chứa bụi đầy ra khỏi mặt bích nối hướng xuống dưới. Đóng miệng túi đựng bụi lại bằng cách gấp nắp đậy xuống. Hãy lấy túi chứa bụi kín ra khỏi khoang chứa (1).
- Đặt túi đựng bụi mới lên trên mặt bích nối của máy hút bụi. Đặt chắc chắn để túi đựng bụi nằm lọt hoàn toàn dựa trên các thành trong của thùng chứa (1).
- Đậy nắp trên cùng của máy hút bụi (6) và đóng các khóa (7).

## Vận Hành

- ▶ **Hãy tháo phích cắm ra khỏi ổ cắm điện, trước khi bạn bảo dưỡng hoặc làm sạch, điều chỉnh thiết bị, thay phụ kiện, hoặc để xa máy hút bụi.** Biện pháp thận trọng sẽ tránh việc khởi động máy hút bụi không chủ ý.

Khi vận hành máy hút bụi, hãy đảm bảo các bánh xe nhỏ (9) có phanh hãm bánh xe nhỏ (10) được khóa cứng, để bảo vệ máy hút khỏi trượt đi không kiểm soát. Kiểm tra chức năng của các bánh xe (8) và bánh xe nhỏ (9) với nền tương ứng trước khi sử dụng.

## Bắt Đầu Vận Hành

- ▶ **Tuân thủ theo đúng điện thế!** Điện thế của nguồn điện cung cấp phải tương ứng với số liệu ghi trên nhãn loại máy của máy hút bụi. Máy hút được ghi 230 V cũng có thể được vận hành ở 220 V.
- ▶ **Bạn hãy thông tin về các qui định / luật hiện hành liên quan đến bụi gây hại đến sức khỏe tại đất nước của bạn.**

Máy hút bụi được dùng để hút và loại bỏ những chất sau đây:

- Các loại bụi có giới hạn tiếp xúc > 1 mg/m<sup>3</sup>
- Thông thường, máy hút bụi có thể không nên sử dụng trong phòng, nơi có sẵn nguy cơ gây nổ.
- Để đảm bảo công suất hút bụi tối ưu, bạn phải luôn duỗi thẳng ống hút mềm (17) hoàn toàn phía trước nắp trên cùng của máy hút bụi (6).

## Hút bụi khô

### Hút sạch các loại bụi bám lâu ngày

- Để **bật** máy hút bụi, bạn hãy ấn nhanh phím bật/tắt (4).
- Để **Tắt** máy hút bụi, bạn hãy ấn lại phím bật/tắt (4).

### Hút sạch các loại bụi phát sinh từ các dụng cụ điện (xem Hình E)

- ▶ **Phải có sẵn hệ số thông gió (L) đầy đủ trong phòng, khi khí phát thải trở lại phòng. Chú ý các quy định quốc gia tương ứng.**

Trong máy hút bụi công tắc bảo vệ-ổ cắm (3) được hợp nhất. Bạn có thể kết nối dụng cụ điện ngoài. Chú ý công suất kết nối tối đa hợp lệ của dụng cụ điện được kết nối.

- Lắp cút nối ống hút (18) (xem „Lắp Bộ Phận Hút Ghép Nối“, Trang 43).
- Cắm cút nối ống hút (18) vào miệng hút của dụng cụ điện.

**Lưu ý:** Khi làm việc với dụng cụ điện, nguồn cấp khí của vào ống mềm nhỏ (ví dụ như máy cưa, máy mài v.v.), vòi khí xâm nhập (26) của bộ thích ứng hút (18) phải được mở. Chỉ như vậy, chế độ làm sạch bán tự động (SFC) mới hoạt động không vấn đề.

Xoay vòng qua miệng thoát khí (26), cho tới khi đạt độ mở tối đa.

- Để **vận hành chế độ tự động khởi động/dừng** của máy hút, hãy nhấn nhanh nút bật/tắt (4).
- Bật dụng cụ điện đã kết nối với ổ cắm để chế độ **Đưa vào vận hành** hoạt của máy hút bụi (3). Máy hút bụi bắt đầu tự động.
- Tắt dụng cụ điện, để **kết thúc việc hút** bụi. Tiếp tục chế độ tự động khởi động/dừng cho đến 15 giây để xả hết bụi bám còn lại ra khỏi ống mềm.
- Để **tắt** máy hút, hãy nhấn nút bật/tắt (4).

## Hút Vật Âm Ướt

- ▶ **Không hút các chất lỏng dễ cháy hoặc dễ nổ, ví dụ như xăng, dầu, cồn, dung môi. Không hút các bụi nóng, bụi dễ cháy nổ. Không vận hành máy hút bụi trong các không gian dễ nổ.** Rác, chất khí, chất lỏng loại có thể gây cháy hay nổ.
- ▶ **Máy hút bụi không được phép dùng làm máy bơm nước.** Máy hút bụi được thiết kế để hút hỗn hợp khí và nước.

### Các bước trước khi hút bụi ẩm

- Mở các khóa (7) và tháo nắp trên cùng của máy hút bụi (6).
- Hãy tháo túi rác (20) hoặc túi chứa bụi nếu cần.
- Làm rỗng thùng chứa nếu cần (1).
- Đậy nắp trên cùng của máy hút bụi (6) và đóng các khóa (7).

### Hút sạch các chất lỏng

- Bật máy hút.
- Máy hút bụi được trang bị một chiếc phao đo. Nếu mức đầy đạt tới đa, việc hút bụi sẽ dừng lại.

- Tắt máy hút.
- Làm rỗng thùng chứa (1).

Để tránh hiện tượng mốc sau khi hút bụi ướt:

- Tháo thân nắp máy hút (6), lấy bộ lọc gấp nếp ra (28) và để nó khô hẳn.

## Làm sạch bộ lọc bán tự động (xem hình F)

Muộn nhất là khi không còn hiệu suất hút bụi nữa, cần phải làm sạch bộ lọc.

Tần suất làm sạch bộ lọc phụ thuộc vào loại bụi và số lượng bụi. Sử dụng thường xuyên có thể duy trì tối đa hiệu suất sử dụng.

Ở chế độ làm sạch bộ lọc bán tự động (SFC), các màng mỏng của bộ lọc được làm sạch bụi bám tích tụ lưu trữ thông qua luồng không khí đảo chiều.

Bộ lọc gấp nếp bị bẩn ở bề mặt vẫn hoạt động hiệu quả. Vệ sinh bộ lọc gấp nếp bằng tay bằng cách đập hoặc thổi là không cần thiết và thậm chí còn làm hư hỏng bộ lọc.

### Kích hoạt làm sạch bộ lọc SFC

- Dùng lòng bàn tay đẩy miệng vòi hoặc ống hút mềm.
- Nhấn ba lần công tắc SFC (11).

## Bảo Dưỡng và Bảo Quản

### Bảo Dưỡng Và Làm Sạch

- ▶ **Hãy tháo phích cắm ra khỏi ổ cắm điện, trước khi bạn bảo dưỡng hoặc làm sạch, điều chỉnh thiết bị, thay phụ kiện, hoặc để xa máy hút bụi.** Biện pháp thận trọng sẽ tránh việc khởi động máy hút bụi không chủ ý.

- ▶ **Để sự hoạt động an toàn và bình thường, luôn luôn giữ máy hút bụi và các khe thông gió được sạch.**
- ▶ **Mang khẩu trang khi bảo trì và làm sạch máy hút bụi.**

Nếu như cần phải thay dây dẫn điện thì công việc này phải do hãng **Bosch**, hay một đại lý được **Bosch** ủy nhiệm thực hiện để tránh gặp sự nguy hiểm do mất an toàn.

Để bảo trì thay mặt cho người sử dụng, máy hút bụi phải được tháo rời ra, làm sạch và bảo trì ở mức có thể thực hiện được mà không gây ra nguy hiểm cho nhân viên bảo trì hay những người khác. Trước khi tháo rời máy, nên làm vệ sinh máy hút bụi để phòng tránh mọi nguy cơ. Phòng/khu vực kín nơi tháo rời máy hút bụi phải được thông gió tốt. Mang các trang thiết bị bảo hộ thích hợp trong lúc bảo trì. Sau khi bảo trì, phải làm sạch khu vực bảo trì.

Kiểm tra kỹ thuật hút bụi ít nhất mỗi năm một lần do nhà sản xuất hay người được chỉ định thực hiện, vd. kiểm tra sự hư hỏng của bộ lọc, tình trạng kín chống sự rò rỉ của máy hút bụi và sự hoạt động của bộ phận điều khiển/kiểm tra.

Đối với các máy hút bụi loại **L**, bị bẩn xung quanh, cần làm sạch cả bên ngoài lẫn toàn bộ chi tiết của máy hoặc xử lý bằng chất bít kín. Khi tiến hành bảo dưỡng và sửa chữa, cần xử lý toàn bộ các chi tiết bẩn, mà không thể vệ sinh sạch. Các chi tiết này phải được xử lý bằng các túi không thấm nước theo các quy định về xử lý chất thải.

- Thỉnh thoảng lau sạch vỏ của máy hút bụi bằng vải ẩm.

### Vệ sinh khoang chứa


- Thỉnh thoảng, lau sạch khoang chứa (1) bằng chất tẩy không mài mòn thông thường và để khô.


### Làm Sạch Bộ Lọc

Việc làm rỗng thường xuyên bình chứa bụi và làm sạch bộ lọc sẽ đảm bảo công suất hút tối ưu. Nếu sau đó mà hiệu suất hút vẫn không đạt được, đem máy hút bụi đến đại lý dịch vụ khách hàng.

### Tháo/thay bộ lọc (xem Hình G1–G2)

Thay bộ lọc gấp nếp bị hỏng ngay lập tức.

- Mở các khóa (7) và tháo nắp trên cùng của máy hút bụi (6).
- Xoay giá đỡ bộ lọc (27) cho đến cỡ chặn theo hướng xoay  và tháo giá đỡ bộ lọc cùng với bộ lọc gấp nếp (28) ra khỏi thân nắp máy hút (6).
- Kéo bộ lọc gấp nếp bị bẩn/bị hỏng (28) ra khỏi giá đỡ bộ lọc (27).
- Hãy chải các bản mỏng của bộ lọc gấp nếp (28) bằng một bàn chải mềm.  
*hoặc*  
thay bộ lọc gấp nếp bị hỏng (28).
- Đặt giá đỡ bộ lọc (27) vào bộ lọc gấp nếp mới/đã rửa sạch (28).

- Lắp giá đỡ bộ lọc (27) cùng với bộ lọc gấp nếp (28) vào thân nắp máy hút và xoay giá đỡ bộ lọc (27) đến cỡ chặn theo hướng xoay .
- Đậy nắp trên cùng của máy hút bụi (6) và đóng các khóa (7).

#### Làm sạch phao đo (xem Hình H)

Thỉnh thoảng làm sạch phao đo (29).

- Mở các khóa (7) và tháo nắp trên cùng của máy hút bụi (6).
- Lấy giá đỡ bộ lọc (27) cùng với bộ lọc gấp nếp (28) ra khỏi thân nắp máy hút (6).
- Kéo bộ lọc gấp nếp (28) ra khỏi giá đỡ bộ lọc (27).
- Rửa sạch phao đo (29) bằng nước.
- Lắp lại giá đỡ bộ lọc (27) với bộ lọc gấp nếp (28) vào thân nắp máy hút (6).
- Đậy nắp trên cùng của máy hút bụi (6) và đóng các khóa (7).

#### Khắc phục trục trặc

- ▶ Nếu xảy ra sự cố (ví dụ như vỡ bộ lọc), máy hút bụi phải được tắt ngay lập tức. Trước khi khởi động lại, phải loại bỏ lỗi.

Vấn đề	Biện Pháp Sửa Chữa
Tuabin hút chưa khởi động.	<ul style="list-style-type: none"> <li>– Kiểm tra cáp nối điện nguồn, phích cắm điện nguồn, cầu chì, ổ cắm và phao đo (29).</li> <li>– Nhấn nhanh nút bật/tắt (4) hoặc bật dụng cụ điện được nối với ổ cắm (3).</li> </ul>
Tuabin hút tắt.	<ul style="list-style-type: none"> <li>– Làm rỗng thùng chứa (1).</li> </ul>
Tuabin hút chưa khởi động lại sau khi làm rỗng thùng chứa.	<ul style="list-style-type: none"> <li>– Tắt máy hút bụi và chờ 5 giây, sau 5 giây bật lại.</li> <li>– Làm sạch phao đo (29).</li> </ul>
Giảm lực hút.	<ul style="list-style-type: none"> <li>– Loại bỏ các chất tắc nghẽn từ vòi hút, ống hút cứng (21), ống hút mềm (17) hoặc bộ lọc gấp nếp (28).</li> <li>– Thay túi rác (20) hoặc túi đựng bụi.</li> <li>– Đậy khít nắp trên cùng của máy hút bụi (6) và đóng các khóa (7).</li> <li>– Thay bộ lọc gấp nếp (28).</li> </ul>
Phát thải bụi khi hút bụi	<ul style="list-style-type: none"> <li>– Kiểm tra việc lắp đặt chính xác bộ lọc gấp nếp (28).</li> <li>– Thay bộ lọc gấp nếp (28).</li> </ul>
Chế độ tự động tắt (Hút bụi ẩm) không phản hồi.	<ul style="list-style-type: none"> <li>– Làm sạch phao đo (29).</li> <li>– Chế độ tự động tắt không hoạt động ở chất lỏng không dẫn điện hoặc hình thành bọt.</li> <li>– Kiểm tra mức nạp đầy ngay lập tức.</li> </ul>

#### Dịch vụ hỗ trợ khách hàng và tư vấn sử dụng

Bộ phận phục vụ hàng sau khi bán của chúng tôi trả lời các câu hỏi liên quan đến việc bảo dưỡng và sửa chữa các sản phẩm cũng như phụ tùng thay thế của bạn. Sơ đồ mô tả và thông tin về phụ tùng thay thế cũng có thể tra cứu theo dưới đây:  
[www.bosch-pt.com](http://www.bosch-pt.com)

#### Cất Giữ và Vận Chuyển (xem Hình I)

- Làm rỗng và làm sạch thùng chứa (1). Để tránh hiện tượng mốc, hãy đảm bảo bộ lọc gấp nếp (28) và vùng bên trong của máy hút luôn khô.
- Xoắn dây điện vào giá đỡ cáp (13).
- Cắm phụ kiện vào các giá đỡ tương ứng: Cút nối ống hút (18) vào giá đỡ (12), vòi dạng khe (23) vào giá đỡ (15), vòi hút chất bẩn thô (22) vào giá đỡ (16).
- Đặt ống hút mềm (17) lên phía trên cùng của máy hút bụi vào móc giữ (14).
- Cắm máy hút bụi bằng tay xách (5).
- Đặt máy hút bụi ở nơi khô ráo và tránh xa phạm vi của người không được cho phép sử dụng.
- Đá xuống hãm bánh xe nhỏ để khóa bánh xe nhỏ (9) (10).

Đội ngũ tư vấn sử dụng của Bosch sẽ giúp bạn giải đáp các thắc mắc về sản phẩm và phụ kiện.

Trong tất cả các phản hồi và đơn đặt phụ tùng, xin vui lòng luôn luôn nhập số hàng hóa 10 chữ số theo nhãn của hàng hóa.

#### Việt Nam

CN CÔNG TY TNHH BOSCH VIỆT NAM TẠI TP.HCM

Tầng 14, Ngôi Nhà Đức, 33 Lê Duẩn  
Phường Bến Nghé, Quận 1, Thành Phố Hồ Chí Minh  
Tel.: (028) 6258 3690  
Fax: (028) 6258 3692 - 6258 3694  
Hotline: (028) 6250 8555  
Email: [tuvankhachhang-pt@vn.bosch.com](mailto:tuvankhachhang-pt@vn.bosch.com)  
[www.bosch-pt.com.vn](http://www.bosch-pt.com.vn)  
[www.baohanhbosch-pt.com.vn](http://www.baohanhbosch-pt.com.vn)

**Xem thêm địa chỉ dịch vụ tại:**

[www.bosch-pt.com/serviceaddresses](http://www.bosch-pt.com/serviceaddresses)

**Sự thải bỏ**

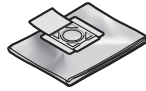
Máy hút bụi, phụ kiện, bao bì phải được phân loại để tái chế theo hướng thân thiện với môi trường.



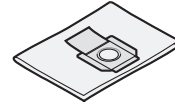
Không được vứt bỏ máy hút bụi vào chung với rác sinh hoạt thông thường!



2 607 432 024



2 605 411 229



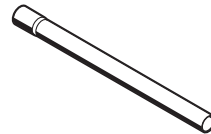
2 605 411 231



2 607 002 632



2 607 002 630



2 607 002 631



1 609 201 229



2 607 000 165



1 609 390 481



1 609 499 005



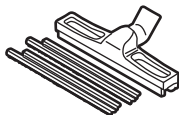
2 607 000 170



2 607 000 168



2 607 000 166



1 609 390 478



1 609 201 230